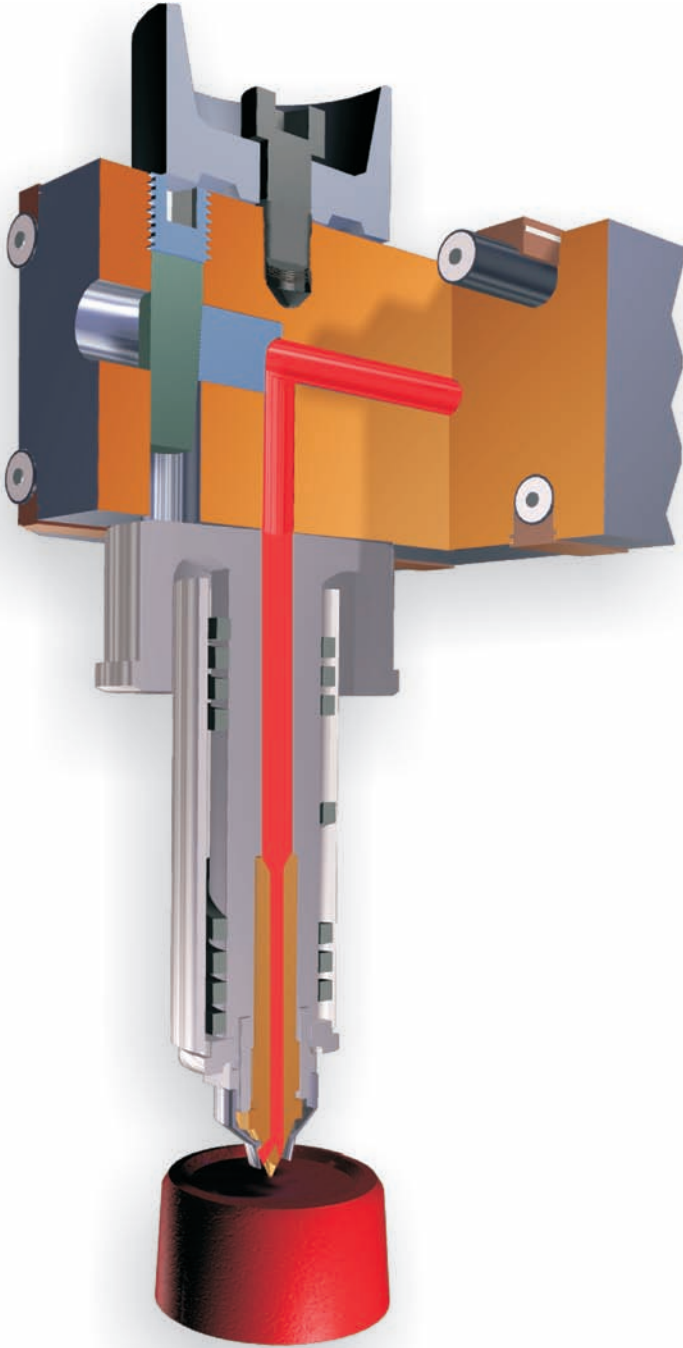
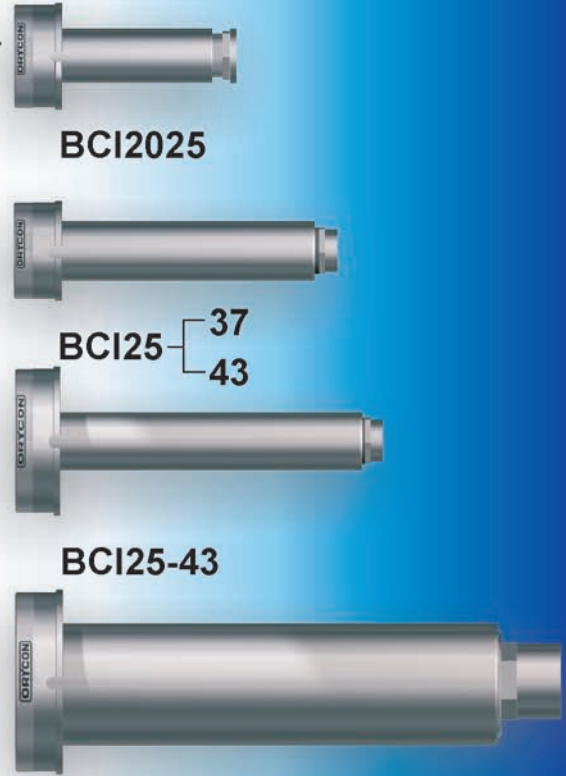


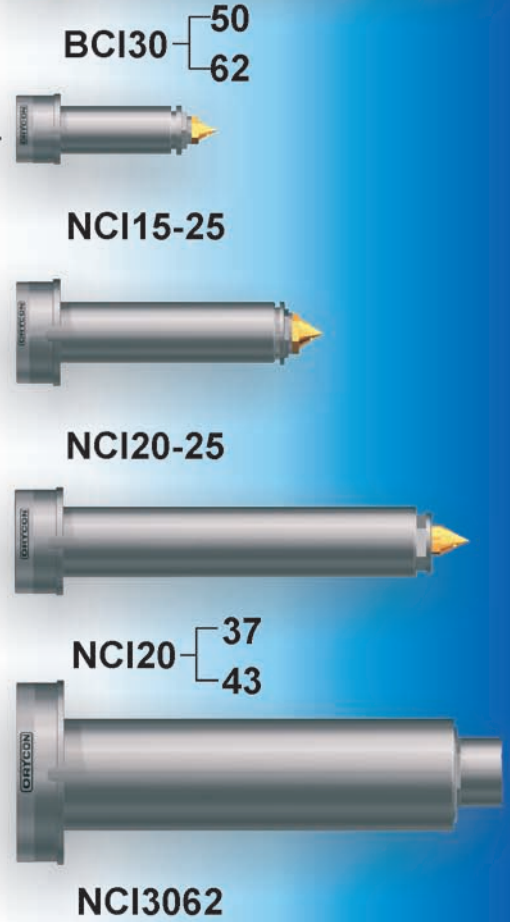
**HOT SPRUE BUSHINGS
GATING NOZZLES**

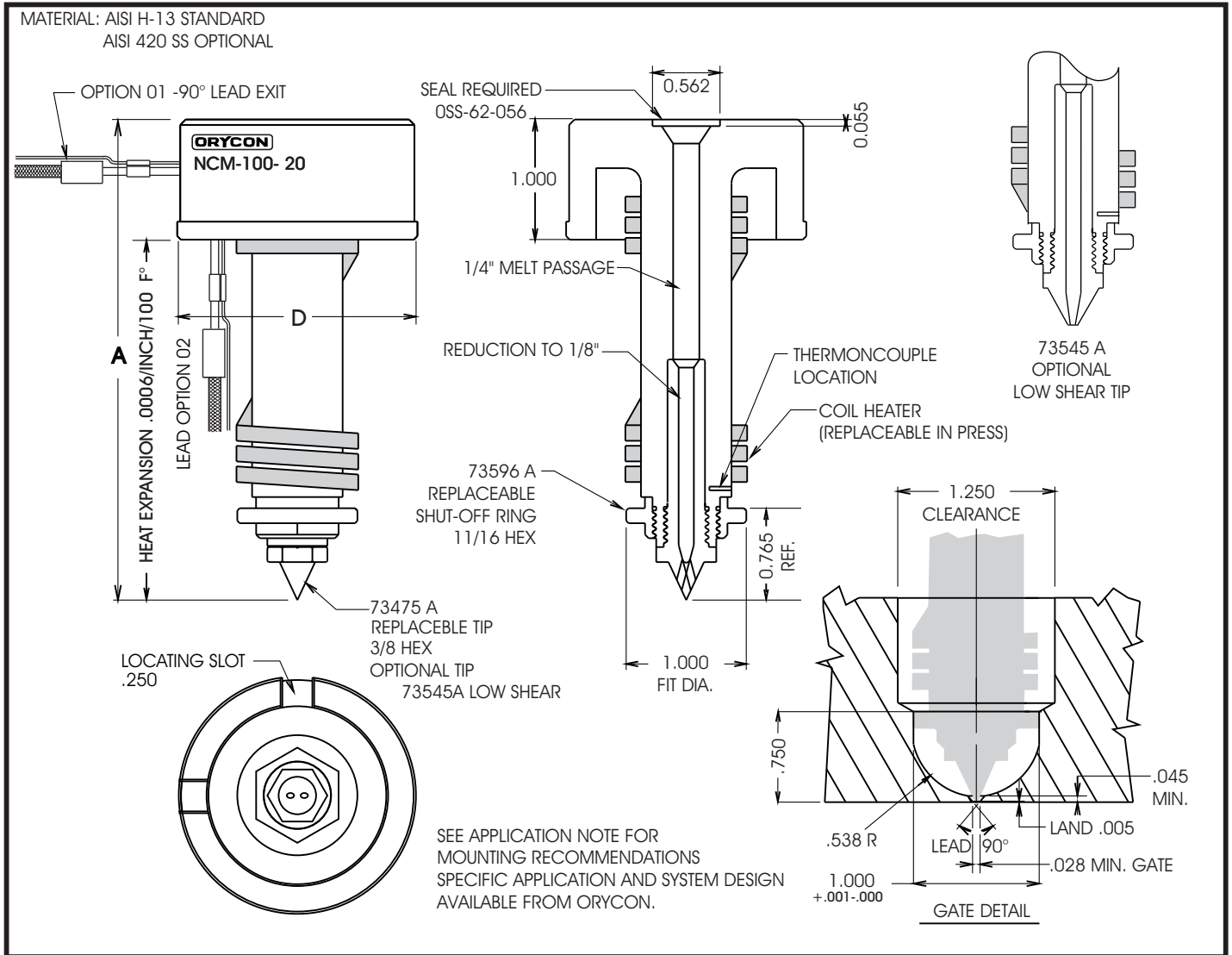


**SPRUE BUSHINGS
SINGLE TIP OR MANIFOLD**



**GATING NOZZLES
SINGLE TIP OR MANIFOLD**





Hot Sprue Bushings/
Gating Nozzles

GATING NOZZLES

"A" STANDARD DIMENSIONS:

3.500, 4.000, 4.500, 5.000, 5.500, 6.000, 6.500, 7.000, 7.500
(Other sizes available with longer delivery times.)

PRICES AND SPECIFICATIONS ARE SUBJECT TO CHANGE WITHOUT NOTICE
HEATERS ARE 220V STANDARD

REPLACEMENT THERMOCOUPLES

ALL SIZES
CATALOG NO.
OCT-025-14

REPLACEMENT HEATERS

ADD "H" BEFORE
NOZZLE'S CATALOG NO.
example:
H-NCM100-20-40-01

ABOVE ARE TYPE "J"

TO ORDER PLEASE SPECIFY

TYPE AND FIT DIA.

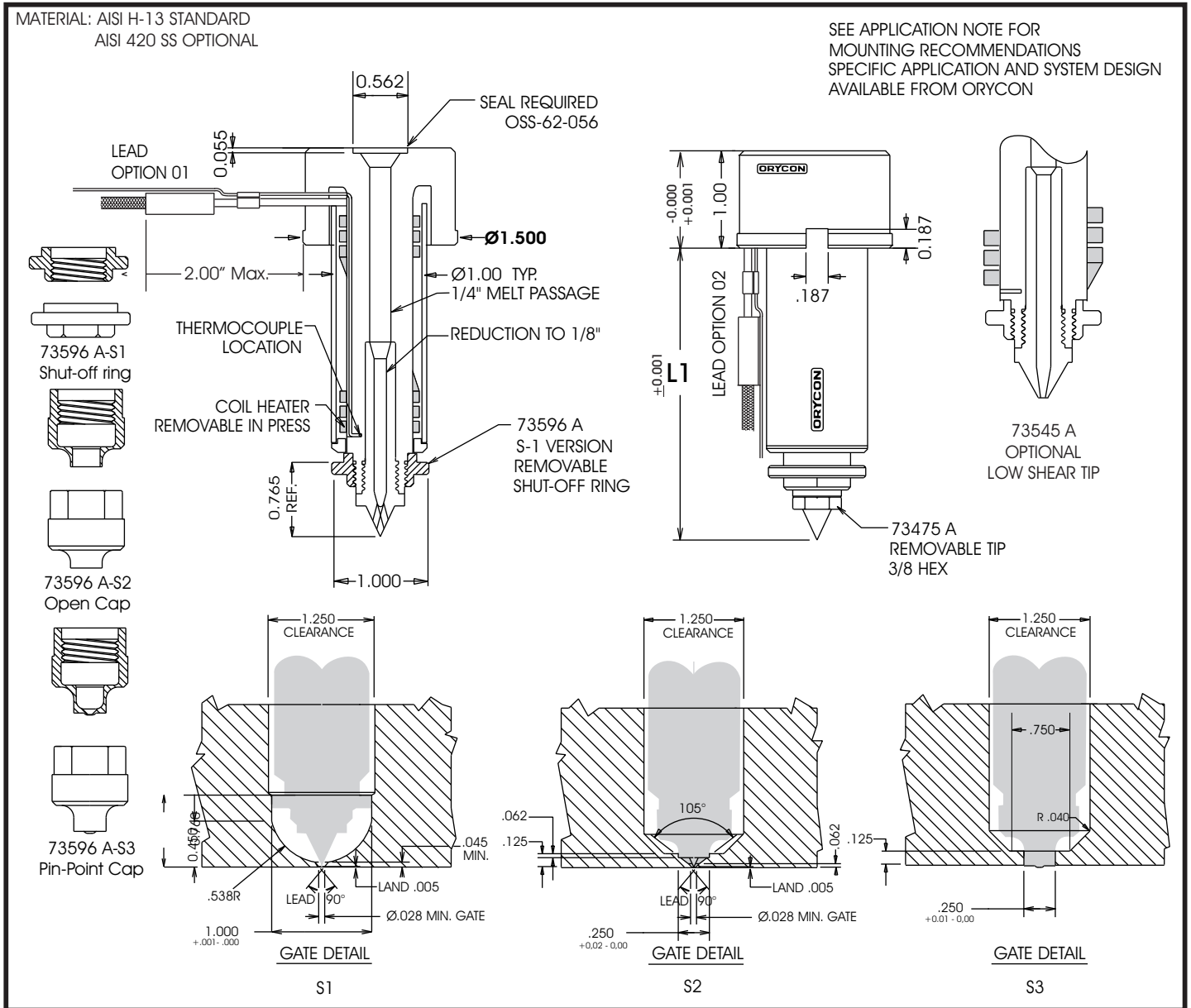
NCM100 20 - P - 40 - 01

"D" HEAD DIA.
(Example: 20 For 2.000
Optional 15 For 1.500)

TIP
P - Pin Point
L - Low Shear

OPTIONS:
01 - 90° LEAD EXIT
02 - AXIAL LEAD EXIT

"A" OVERALL LENGTH
(Example: 40 FOR 4.000)



Hot Sprue Bushings/
Gating Nozzles

GATING NOZZLES

"L1" STANDARD DIMENSIONS:

2.500, 3.000, 3.500, 4.000, 4.500, 5.000, 5.500, 6.000, 6.500, 7.000, 7.500
(Other sizes available with longer delivery times.)

PRICES AND SPECIFICATIONS ARE SUBJECT TO CHANGE WITHOUT NOTICE
HEATERS ARE 220V STANDARD

REPLACEMENT THERMOCOUPLES

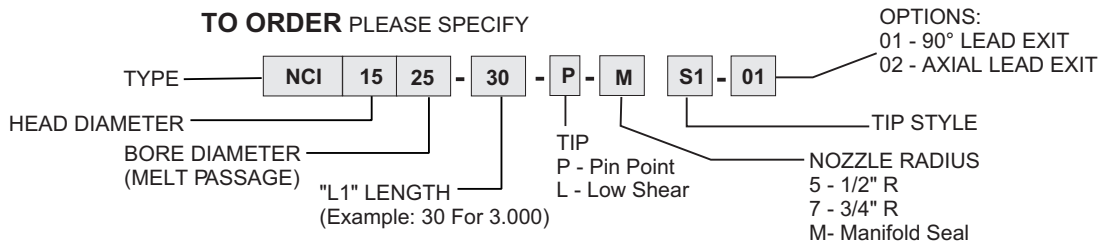
ALL SIZES
CATALOG NO.
OCT-025-14

REPLACEMENT HEATERS

ADD "H" BEFORE
NOZZLE'S CATALOG NO.
example:
H-NCI1525-30MS1-01

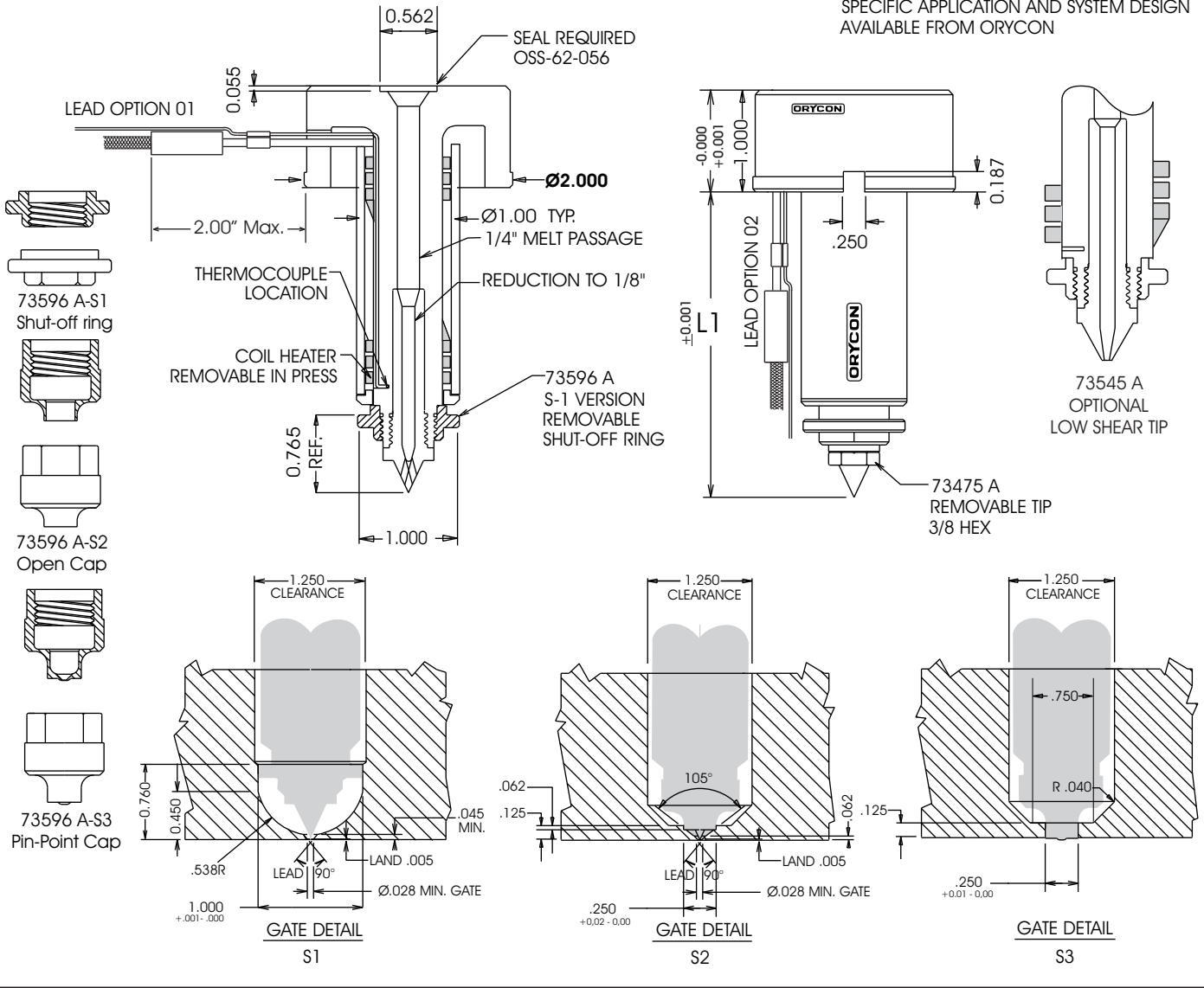
ABOVE ARE TYPE "J"

TO ORDER PLEASE SPECIFY



MATERIAL: AISI H-13 STANDARD
AISI 420 SS OPTIONAL

SEE APPLICATION NOTE FOR
MOUNTING RECOMMENDATIONS
SPECIFIC APPLICATION AND SYSTEM DESIGN
AVAILABLE FROM ORYCON



Hot Sprue
Bushings/
Gating Nozzles

GATING NOZZLES

"L1" STANDARD DIMENSIONS:

2.500, 3.000, 3.500, 4.000, 4.500, 5.000, 5.500, 6.000, 6.500, 7.000, 7.500
(Other sizes available with longer delivery times.)

PRICES AND SPECIFICATIONS ARE SUBJECT TO CHANGE WITHOUT NOTICE
HEATERS ARE 220V STANDARD

REPLACEMENT THERMOCOUPLES

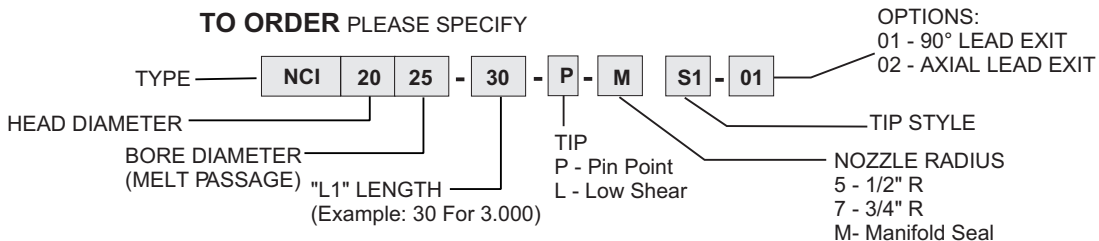
ALL SIZES
CATALOG NO.
OCT-025-14

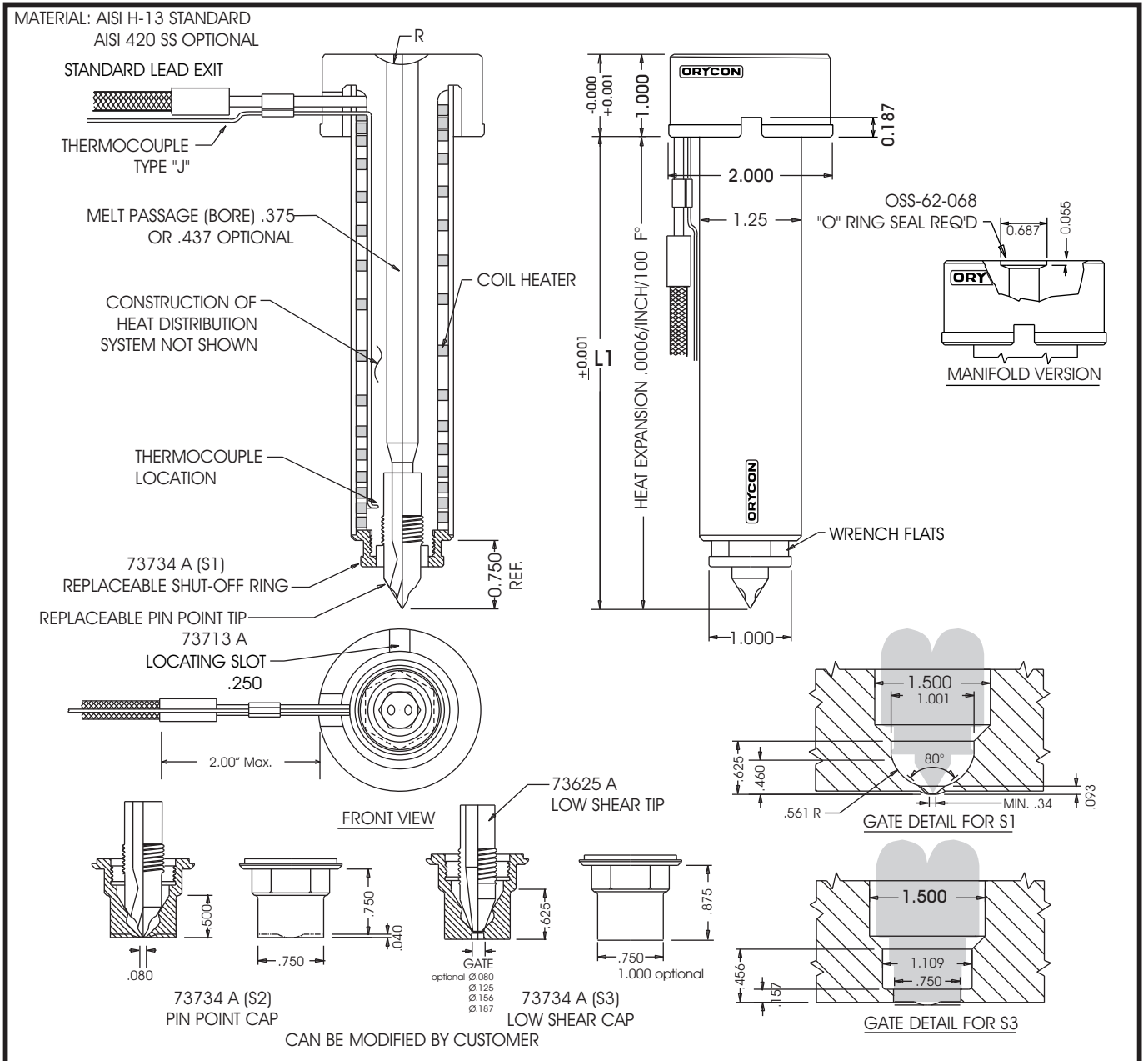
REPLACEMENT HEATERS

ADD "H" BEFORE
NOZZLE'S CATALOG NO.
example:
H-NCI2025-30MS1-01

ABOVE ARE TYPE "J"

TO ORDER PLEASE SPECIFY





Hot Sprue Bushings/
Gating Nozzles

GATING BUSHINGS

REPLACEMENT THERMOCOUPLES

REPLACEMENT HEATERS

"L1" STANDARD DIMENSIONS:

2.000, 2.500, 3.000, 3.500, 4.000, 4.500, 5.000, 5.500, 6.000, 6.500, 7.000, 7.500, 8.000, 8.500, 9.000, 9.500, 10.000 (Other sizes available with longer delivery times.)

ALL SIZES
CATALOG NO.
OCT-025-14

ADD "H" BEFORE
NOZZLE'S CATALOG NO.
example:
H-NCI2037-40MS1-01

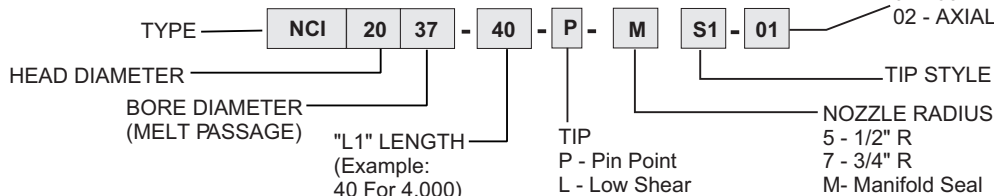
PRICES AND SPECIFICATIONS ARE SUBJECT TO CHANGE WITHOUT NOTICE

ABOVE ARE TYPE "J"

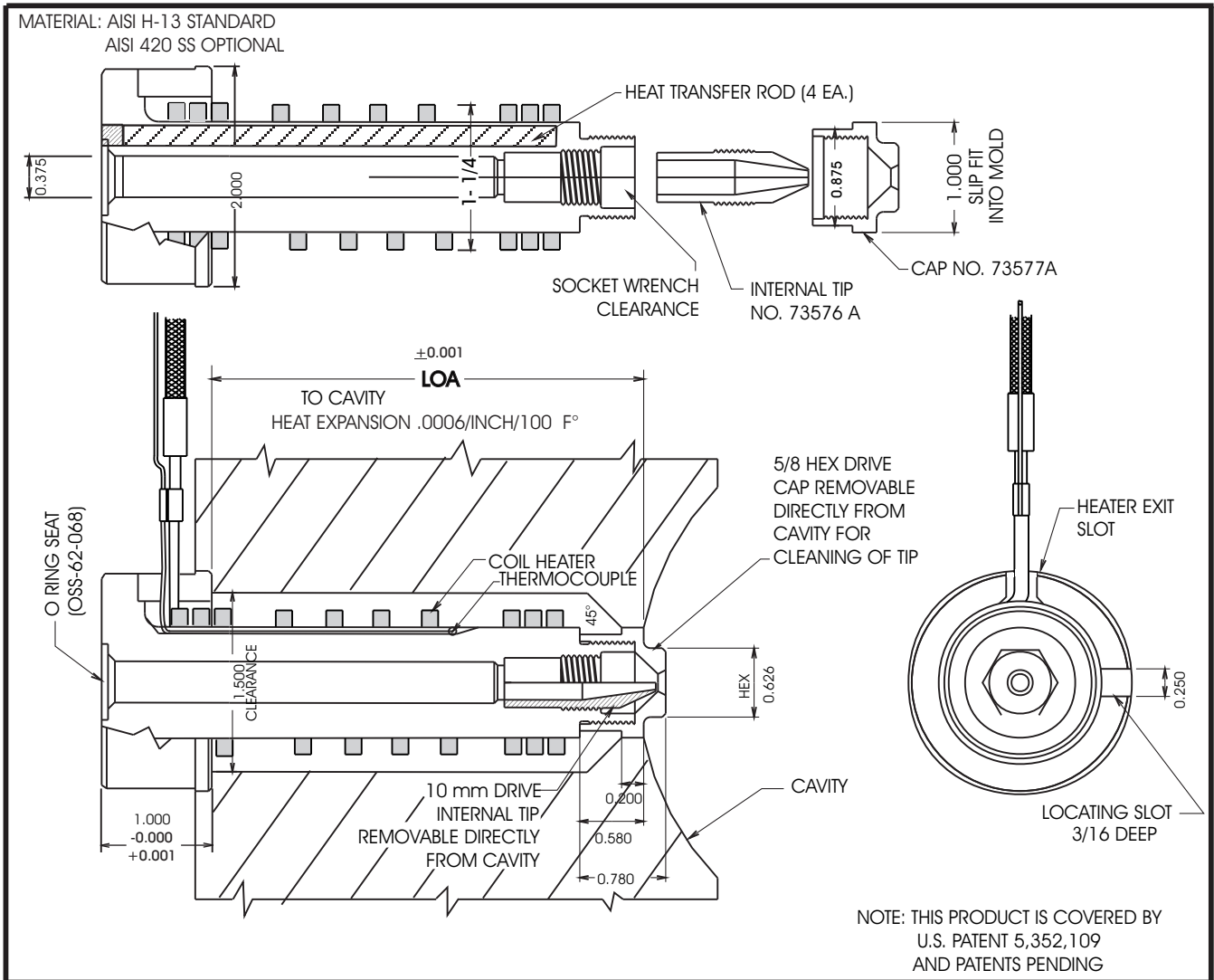
HEATERS ARE 220V STANDARD

TO ORDER PLEASE SPECIFY

OPTIONS:
01 - 90° LEAD EXIT
02 - AXIAL LEAD EXIT



EASY CLEAN-OUT GATING NOZZLES GTM2 OCM Standard Sizes FOR INJECTION MOLDING OF RE-GROUND RESINS



Hot Sprue Bushings/
Gating Nozzles

The OCM type bushings are designed especially for applications where a high percentage of re-ground resin is used causing gates to clog frequently. By making the tip removable from the cavity, molders can achieve a substantial reduction of down time and tool repair costs.

GATING BUSHINGS

"LOA" STANDARD DIMENSIONS:
2.475, 3.920
(Other sizes available with longer delivery times.)

PRICES AND SPECIFICATIONS ARE SUBJECT TO CHANGE WITHOUT NOTICE

REPLACEMENT THERMOCOUPLES

ALL SIZES
CATALOG NO.
OCT-062-12

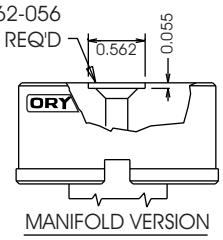
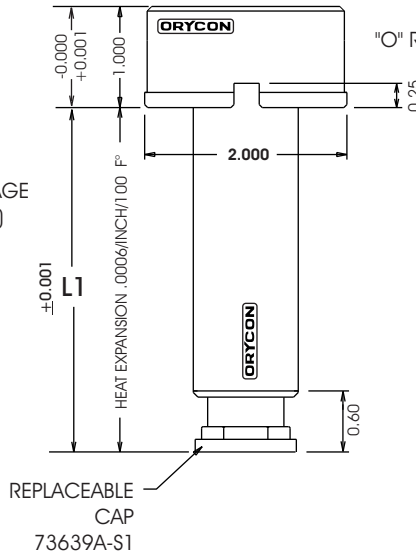
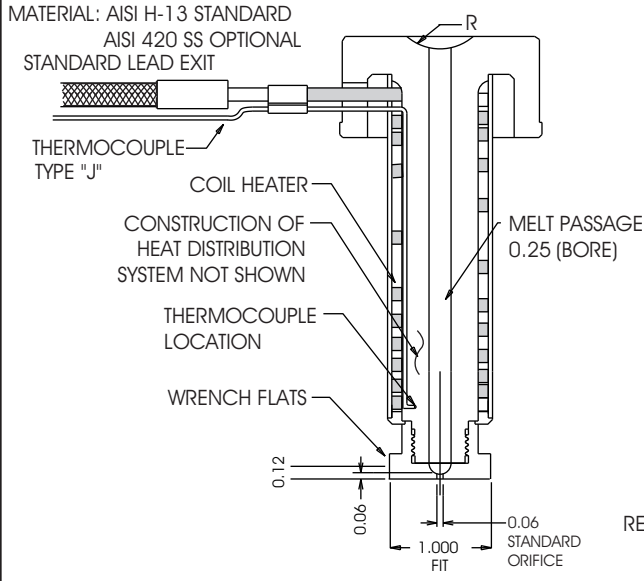
REPLACEMENT HEATERS

ADD "H" BEFORE
NOZZLE'S CATALOG NO.
example:
H-GTM2110-3.475

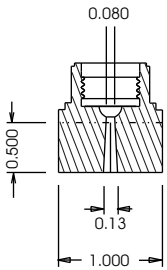
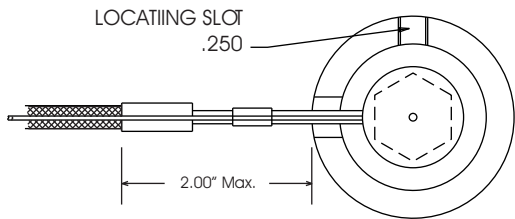
ABOVE ARE TYPE "J"

TO ORDER PLEASE SPECIFY

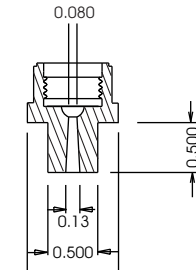
TYPE AND SIZE — **GTM2110-OCM - 3.475** — LOA (LENGTH OVERALL ACTUAL)
NOTE: THIS MODEL ONLY



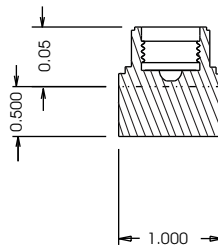
NOTE:
FOR MULTI-CAVITY MANIFOLD APPLICATIONS, HEATER AND THERMOCOUPLE WIRES ARE ROUTED UNDER HEAD TO FACE OF RETAINING PLATE.



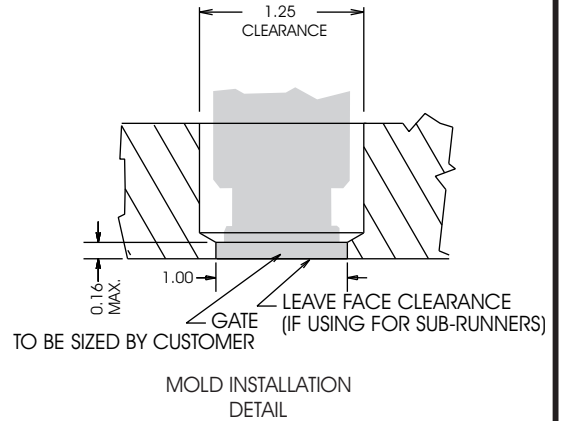
73639A-S2
DIRECT SPRUE



73639A-S3
REDUCED FIT Ø
EXTRA STOCK



73639A-S4
FOR RUNNER DETAIL
(MACHINED BY CUSTOMER)



SEE APPLICATION NOTE FOR MOUNTING RECOMMENDATIONS SPECIFIC APPLICATION AND SYSTEM DESIGN AVAILABLE FROM ORYCON

SPRUE BUSHINGS

REPLACEMENT THERMOCOUPLES

REPLACEMENT HEATERS

"L1" STANDARD DIMENSIONS:
1.875, 2.375, 2.875, 3.375, 3.875, 4.375, 4.875, 5.375, 5.875, 6.375, 6.875, 7.375, 7.875
(Other sizes available with longer delivery times.)

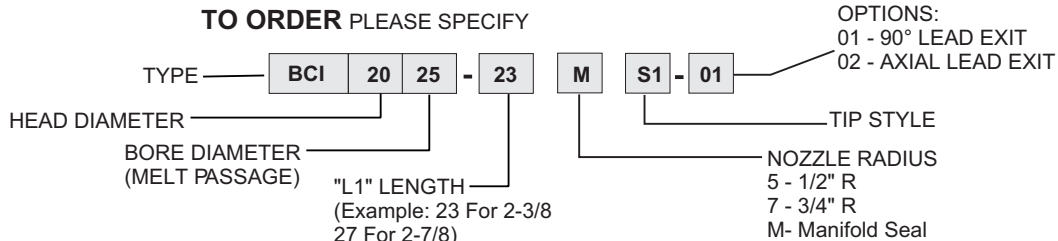
ALL SIZES
CATALOG NO.
OCT-025-14

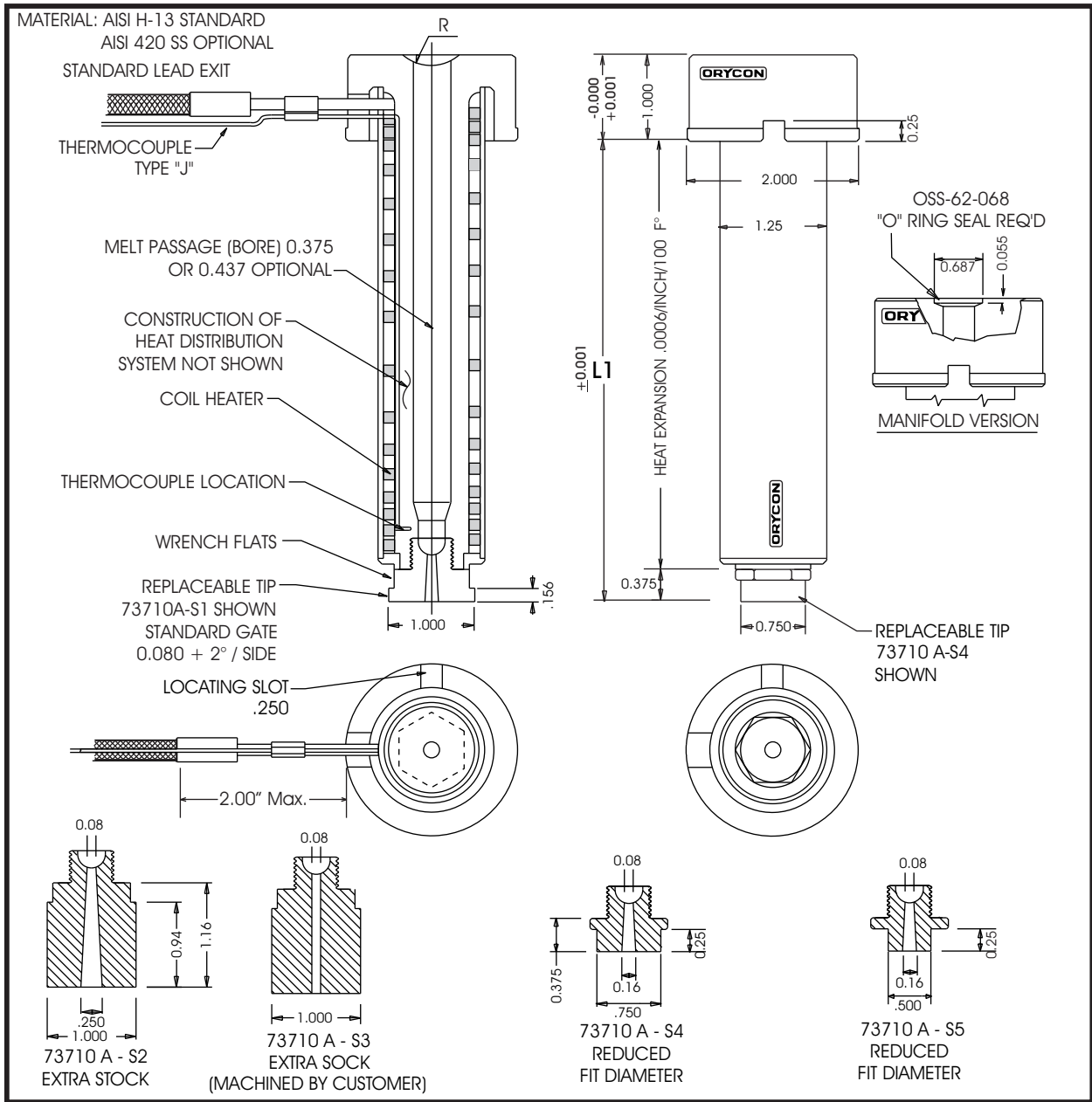
ADD "H" BEFORE
NOZZLE'S CATALOG NO.
example:
H-BCI2025-23MS1-01

PRICES AND SPECIFICATIONS ARE SUBJECT TO CHANGE WITHOUT NOTICE
HEATERS ARE 220V STANDARD

ABOVE ARE TYPE "J"

TO ORDER PLEASE SPECIFY





SPRUE BUSHINGS

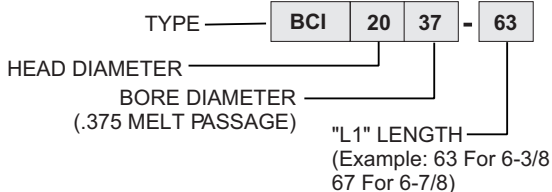
"L1" STANDARD DIMENSIONS:

2.375, 2.875, 3.375, 3.875, 4.375, 4.875, 5.375, 5.875, 6.375, 6.875, 7.375, 7.875, 8.375, 8.875, 9.375
(Other sizes available with longer delivery times.)

PRICES AND SPECIFICATIONS ARE SUBJECT TO CHANGE WITHOUT NOTICE

HEATERS ARE 220V STANDARD

TO ORDER PLEASE SPECIFY



REPLACEMENT THERMOCOUPLES

ALL SIZES
CATALOG NO.
OCT-025-14

ABOVE ARE TYPE "J"

REPLACEMENT HEATERS

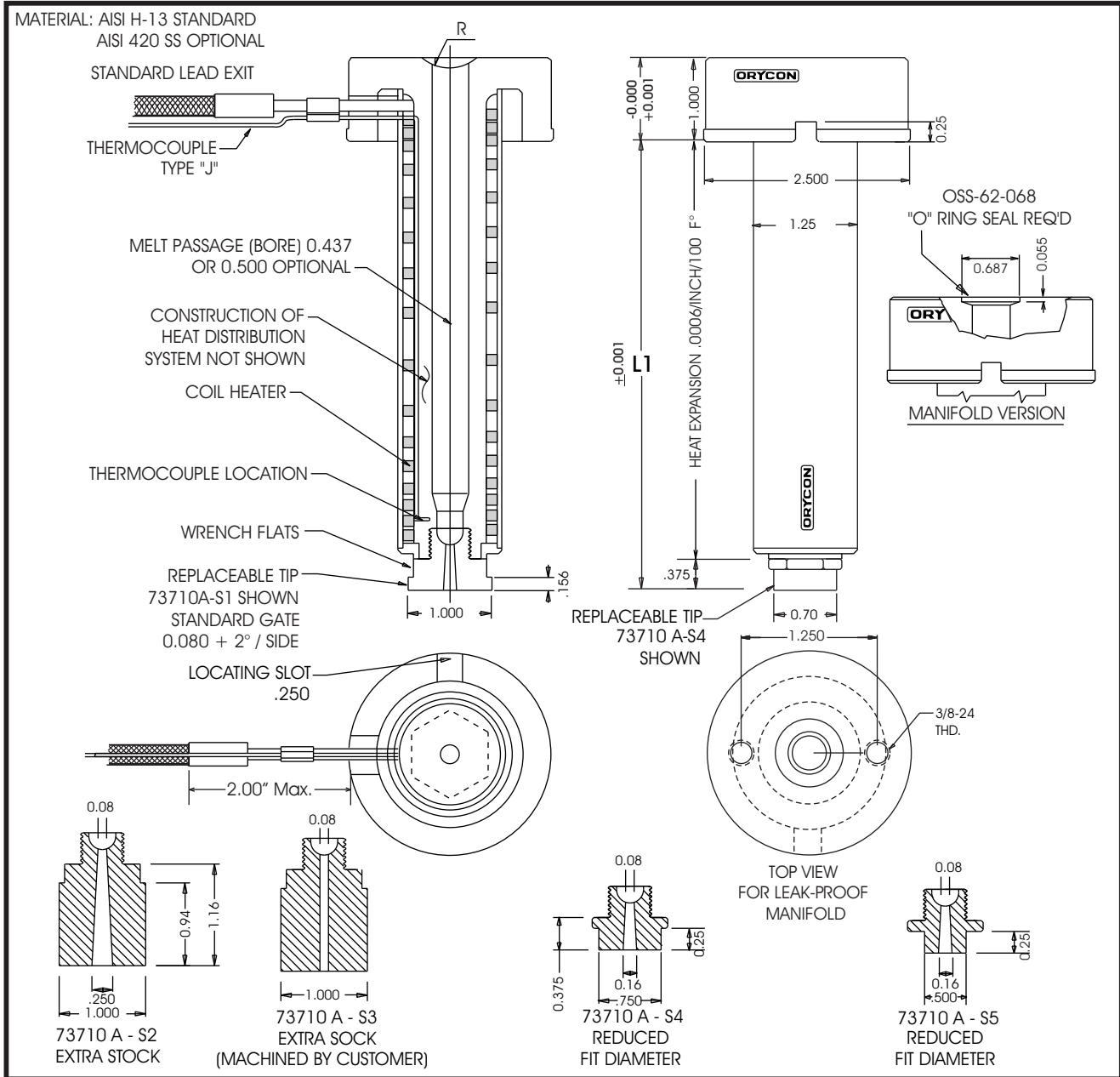
ADD "H" BEFORE
NOZZLE'S CATALOG NO.
example:
H-BCI2037-63MS1-01

OPTIONS:

- 01 - 90° LEAD EXIT
- 02 - AXIAL LEAD EXIT

TIP STYLE

- 5 - 1/2" R
- 7 - 3/4" R
- M- Manifold Seal



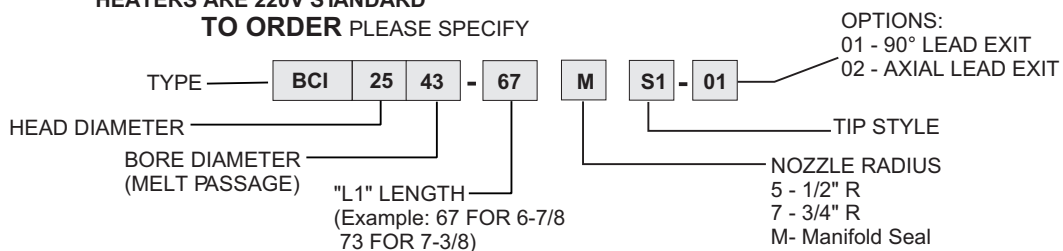
SPRUE BUSHINGS

"L1" STANDARD DIMENSIONS:
2.375, 2.875, 3.375, 3.875, 4.375, 4.875, 5.375, 5.875, 6.375,
6.875, 7.375, 7.875, 8.375, 8.875, 9.375
(Other sizes available with longer delivery times.)

PRICES AND SPECIFICATIONS ARE SUBJECT TO CHANGE WITHOUT NOTICE

HEATERS ARE 220V STANDARD

TO ORDER PLEASE SPECIFY



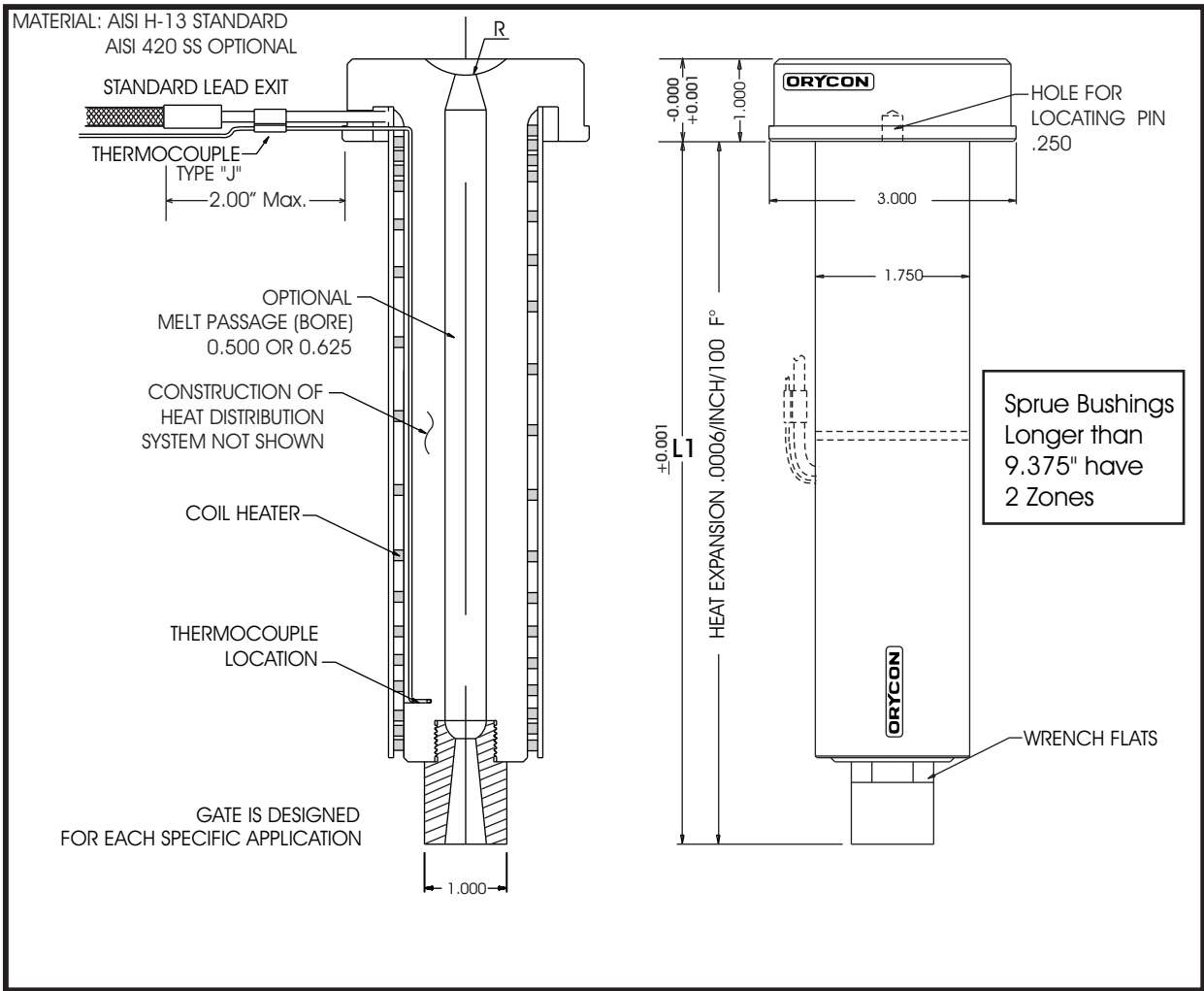
REPLACEMENT THERMOCOUPLES

ALL SIZES
CATALOG NO.
OCT-025-14

REPLACEMENT HEATERS

ADD "H" BEFORE
NOZZLE'S CATALOG NO.
example:
H-BCI2543-67MS1-01

ABOVE ARE TYPE "J"



Hot Sprue Bushings/
Gating Nozzles

SPRUE BUSHINGS

"L1" STANDARD DIMENSIONS:

5.375, 6.375, 7.375, 8.375, 9.375, 10.375, 11.375, 12.375, 13.375, 14.375, 15.375
(Other sizes available with longer delivery times.)

PRICES AND SPECIFICATIONS ARE SUBJECT TO CHANGE WITHOUT NOTICE
HEATERS ARE 220V STANDARD

REPLACEMENT THERMOCOUPLES

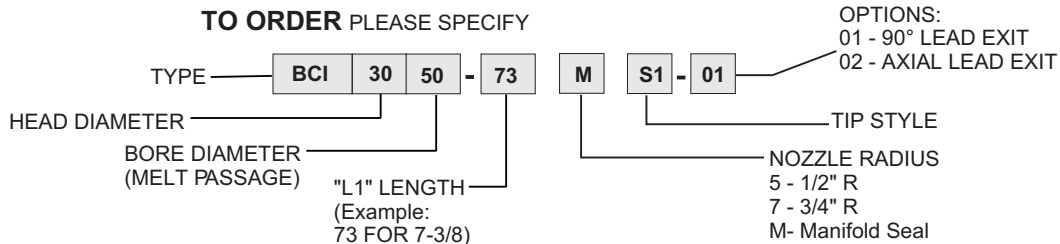
ALL SIZES
CATALOG NO.
OCT-025-14

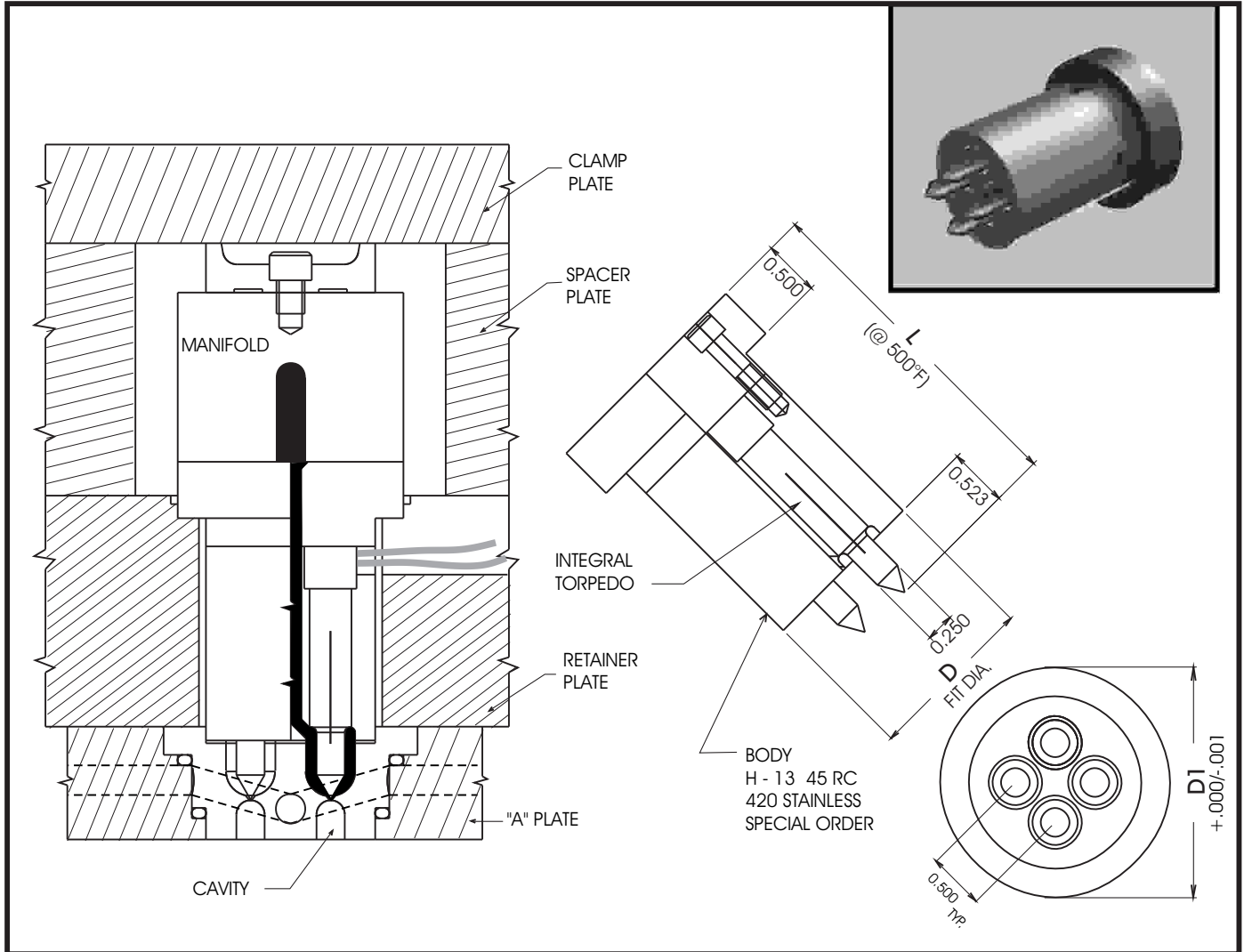
REPLACEMENT HEATERS

ADD "H" BEFORE
NOZZLE'S CATALOG NO.
example:
H-BCI3050-73MS1-01

ABOVE ARE TYPE "J"

TO ORDER PLEASE SPECIFY





Hot Sprue
Bushings/
Gating Nozzles

Note:

Miniature clusters with more than 4 tips have additional external heater. Non-standard configurations can be supplied. Call ORYCON for details.

STANDARD DIMENSIONS:

FIT DIAMETER - 1.500
"L1" 3.000 (4 tips)
"L1" 4.000 (4 tips)

FIT DIAMETER - 2.000
"L1" 3.000 (6 tips)
"L1" 4.000 (6 tips)

**REPLACEMENT
THERMOCOUPLES**
ALL SIZES
CATALOG NO.
OCT-020-06

(Other sizes available with longer delivery times.)
PRICES AND SPECIFICATIONS ARE SUBJECT TO CHANGE WITHOUT NOTICE

**NOTE: NON-STANDARD LENGTHS CAN BE
SUPPLIED ON SPECIAL ORDER**

TO ORDER PLEASE SPECIFY

TYPE — **MCL 30** - **1.5** - **4** - **M** — RADIUS TYPE
 LENGTH — FIT DIA. — NO. OF TIPS
 5- FOR 1/2" R MACHINE NOZZLE
 M- FOR MANIFOLD