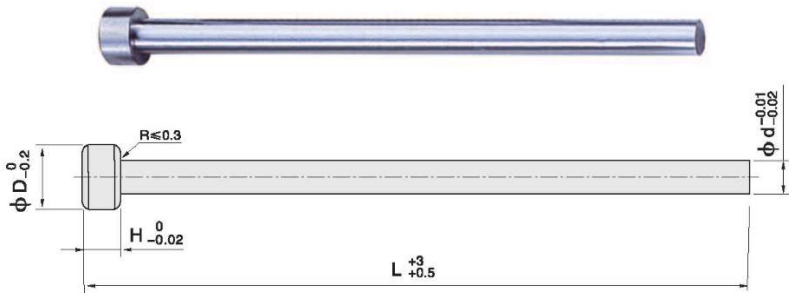


Botadores



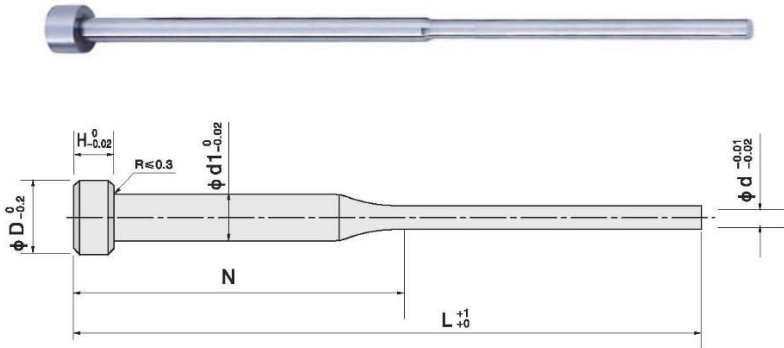
Botador Estándar US



- Fabricada con acero de alta calidad tipo SKD61(H13) resistente al choque térmico y al trabajo en calor.
- Perno Botador Nitrurado Norma Din1530A.
- Dureza del núcleo a 43-52HRC.
- Dureza del exterior a 68HRC

d Diámetro	D	H	L=6"		L=10"		L=14"		L=18"		L=25" d	L=36" d	L=39" d
			d Estándar	d +0.005 OS	d Estándar	d +0.005 OS	d Estándar	d +0.005 OS	d Estándar	d +0.005 OS			
1/32	0.25	0.125	EX2L6	—	—	—	—	—	—	—	—	—	—
3/64	0.25	0.125	EX3L6	EX3L6OS	EX3L10	—	EX3L14	—	—	—	—	—	—
1/16	0.25	0.125	EX5L6	EX5L6OS	EX5L10	—	EX5L14	—	—	—	—	—	—
5/64	0.25	0.125	EX6L6	—	EX6L10	EX6L10OS	EX6L14	—	EX6L18	—	EX6L25	—	—
3/32	0.25	0.125	EX7L6	EX7L6OS	EX7L10	EX7L10OS	EX7L14	—	EX7L18	—	EX7L25	EX7L36	EX7L39
7/64	0.25	0.125	EX8L6	—	EX8L10	EX8L10OS	EX8L14	—	—	—	—	—	—
1/8	0.25	0.125	EX9L6	EX9L6OS	EX9L10	EX9L10OS	EX9L14	EX9L14OS	EX9L18	—	EX9L25	EX9L36	EX9L39
9/64	0.25	0.125	EX10L6	—	EX10L10	EX10L10OS	EX10L14	—	EX10L18	—	EX10L25	EX10L36	EX10L39
5/32	0.28	0.156	EX11L6	EX11L6OS	EX11L10	EX11L10OS	EX11L14	EX11L14OS	EX11L18	—	EX11L25	EX11L36	EX11L39
11/64	0.34	0.187	EX12L6	—	EX12L10	EX12L10OS	EX12L14	—	EX12L18	—	EX12L25	EX12L36	EX12L39
3/16	0.37	0.187	EX13L6	EX13L6OS	EX13L10	EX13L10OS	EX13L14	EX13L14OS	EX13L18	—	EX13L25	EX13L36	EX13L39
13/64	0.37	0.187	—	—	EX14L10	EX14L10OS	EX14L14	—	—	—	—	—	—
7/32	0.4	0.187	EX15L6	EX15L6OS	EX15L10	EX15L10OS	EX15L14	EX15L14OS	EX15L18	—	EX15L25	EX15L36	EX15L39
15/64	0.4	0.187	EX16L6	—	EX16L10	EX16L10OS	EX16L14	—	EX16L18	—	EX16L25	EX16L36	EX16L39
1/4	0.43	0.187	EX17L6	EX17L6OS	EX17L10	EX17L10OS	EX17L14	EX17L14OS	EX17L18	EX17L14OS	EX17L25	EX17L36	EX17L39
17/64	0.43	0.25	EX18L6	—	EX18L10	EX18L10OS	EX18L14	—	EX18L18	—	EX18L25	EX18L36	EX18L39
9/32	0.43	0.25	EX19L6	EX19L6OS	EX19L10	EX19L10OS	EX19L14	EX19L14OS	EX19L18	—	EX19L25	—	—
19/64	0.5	0.25	—	—	EX20L10	EX20L10OS	EX20L14	—	—	—	—	—	—
5/16	0.5	0.25	EX21L6	EX21L6OS	EX21L10	EX21L10OS	EX21L14	EX21L14OS	EX21L18	EX21L14OS	EX21L25	EX21L36	EX21L39
21/64	0.56	0.25	EX22L6	—	EX22L10	EX22L10OS	EX22L14	—	EX22L18	—	EX22L25	EX22L36	EX22L39
11/32	0.56	0.25	EX23L6	—	EX23L10	EX23L10OS	EX23L14	EX23L14OS	EX23L18	—	EX23L25	EX23L36	EX23L39
23/64	0.62	0.25	—	—	EX24L10	EX24L10OS	EX24L14	—	—	—	—	—	—
3/8	0.62	0.25	EX25L6	EX25L6OS	EX25L10	EX25L10OS	EX25L14	EX25L14OS	EX25L18	EX25L14OS	EX25L25	EX25L36	EX25L39
25/64	0.62	0.25	—	—	EX26L10	EX26L10OS	—	—	—	—	—	—	—
13/32	0.68	0.25	EX27L6	—	EX27L10	EX27L10OS	EX27L14	EX27L14OS	EX27L18	—	EX27L25	—	—
27/64	0.68	0.25	EX28L6	—	EX28L10	EX28L10OS	—	—	EX28L18	—	EX28L25	EX28L36	EX28L39
7/16	0.68	0.25	EX29L6	EX29L6OS	EX29L10	EX29L10OS	EX29L14	EX29L14OS	EX29L18	—	EX29L25	EX29L36	EX29L39
29/64	0.68	0.25	—	—	EX30L10	EX30L10OS	—	—	—	—	—	—	—
15/32	0.75	0.25	EX31L6	—	EX31L10	EX31L10OS	EX31L14	—	EX31L18	—	EX31L25	—	—
31/64	0.75	0.25	—	—	EX32L10	EX32L10OS	EX32L14	—	—	—	—	—	—
17/32	0.75	0.25	EX34L6	—	EX34L10	—	EX34L14	—	—	—	—	—	—
9/16	0.81	0.25	EX35L6	—	EX35L10	—	EX35L14	—	EX35L18	—	EX35L25	—	—
5/8	0.87	0.25	EX37L6	—	EX37L10	—	EX37L14	—	EX37L18	—	EX37L25	EX37L36	EX37L39
11/16	0.93	0.25	EX39L6	—	EX39L10	—	EX39L14	—	EX39L18	—	EX39L25	EX39L36	EX39L39
3/4	1	0.25	EX41L6	—	EX41L10	—	EX41L14	—	EX41L18	—	EX41L25	EX41L36	EX41L39
7/8	1.12	0.25	EX45L6	—	EX45L10	—	EX45L14	—	EX45L18	—	EX45L25	—	—
1	1.25	0.25	EX47L6	—	EX47L10	—	EX47L14	—	EX47L18	—	EX47L25	EX47L36	EX4739

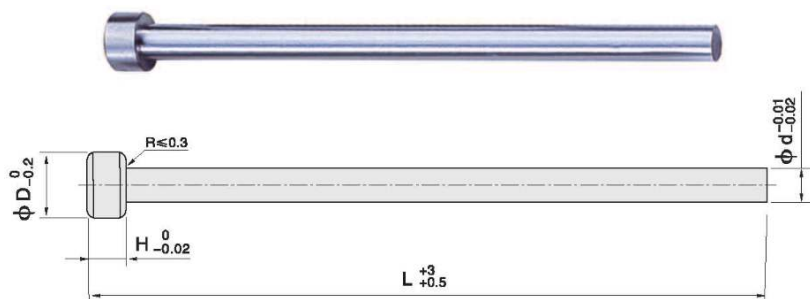
Botador Con Hombro Estándar US



- Fabricada con acero de alta calidad tipo SKD61(H13) resistente al choque térmico y al trabajo en calor.
- Perno Botador Nitrurado Norma Din1530A.
- Dureza del núcleo a 43-52HRC.
- Dureza del exterior a 68HRC

d Diámetro	d1 Diámetro	D Diámetro	N Largo de Hombro	L=6"		L=10"		L=14"	
				d Estándar	d .005 Oversize	d Estándar	d .005 Oversize	d Estándar	d .005 Oversize
1/32	0.125	0.25	1/2	SP2L605	SP2L605OS	—	—	—	—
	0.125	0.25	2	SP2L62	SP2L62OS	—	—	SP2L142	—
	0.125	0.25	3	SP2L63	—	—	—	—	—
	0.125	0.25	4	SP2L64	—	—	—	—	—
3/64	0.125	0.25	1/2	SP3L605	—	SP3L1005	SP3L1005OS	SP3L1405	—
	0.125	0.25	2	SP3L62	—	SP3L102	SP3L102OS	SP3L142	—
	0.125	0.25	3	SP3L63	—	—	—	—	—
	0.125	0.25	4	SP3L64	—	SP3L104	SP3L104OS	—	—
1/16	0.125	0.25	1/2	SP5L605	—	SP5L1005	SP5L1005OS	SP5L1405	—
	0.125	0.25	2	SP5L62	—	SP5L102	SP5L102OS	SP5L142	SP5L142OS
	0.125	0.25	3	SP5L63	—	—	—	—	—
	0.125	0.25	4	SP5L64	—	SP5L104	SP5L104OS	—	—
5/64	0.125	0.25	1/2	SP6L605	—	SP6L1005	SP6L1005OS	SP6L1405	—
	0.125	0.25	2	SP6L62	—	SP6L102	SP6L102OS	SP6L142	SP6L142OS
	0.125	0.25	3	SP6L63	—	—	—	—	—
	0.125	0.25	4	SP6L64	—	SP6L104	SP6L104OS	—	—
3/32	0.125	0.25	1/2	SP7L605	—	SP7L1005	SP7L1005OS	SP7L1405	—
	0.125	0.25	2	SP7L62	—	SP7L102	SP7L102OS	SP7L142	SP7L142OS
	0.125	0.25	3	SP7L63	—	—	—	—	—
	0.125	0.25	4	SP7L64	—	SP7L104	SP7L104OS	—	—
7/64	0.125	0.25	1/2	SP8L605	—	SP8L1005	SP8L1005OS	SP8L1405	—
	0.125	0.25	2	SP8L62	—	SP8L102	SP8L102OS	SP8L142	SP8L142OS
	0.125	0.25	3	SP8L63	—	—	—	—	—
	0.125	0.25	4	SP8L64	—	SP8L104	SP8L104OS	—	—

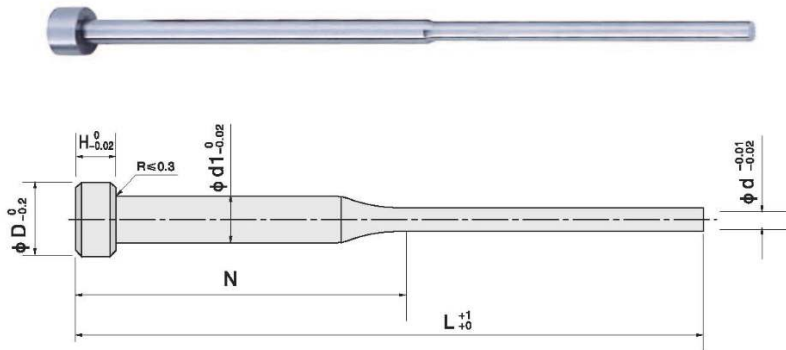
Botador Milimétrico DIN



- Fabricada con acero de alta calidad tipo SKD61(H13) resistente al choque térmico y al trabajo en calor.
- Perno Botador Nitrurado Norma Din1530A.
- Dureza del núcleo a 43-52HRC.
- Dureza del exterior a 68HRC

d Diámetro	D	H	L=100mm	L=125mm	L=160mm	L=200mm	L=250mm	L=315mm	L=400mm	L=500mm	L=630mm	L=800mm	L=1000mm
1.2	3	1.5	MP012L100	—	MP012L160	—	—	—	—	—	—	—	—
1.5	3	1.5	MP015L100	MP015L125	MP015L160	MP015L200	—	—	—	—	—	—	—
2	4	2	MP020L100	MP020L125	MP020L160	MP020L200	MP020L250	MP020L315	—	—	—	—	—
2.2	4	2	MP022L100	MP022L125	MP022L160	MP022L200	MP022L250	MP022L315	—	—	—	—	—
2.5	5	2	MP025L100	MP025L125	MP025L160	MP025L200	MP025L250	MP025L315	—	—	—	—	—
2.7	5	2	MP027L100	MP027L125	MP027L160	MP027L200	MP027L250	MP027L315	—	—	—	—	—
3	6	3	MP030L100	MP030L125	MP030L160	MP030L200	MP030L250	MP030L315	MP030L400	MP030L500	—	—	—
3.2	6	3	MP032L100	MP032L125	MP032L160	MP032L200	MP032L250	MP032L315	MP032L400	—	—	—	—
3.5	7	3	MP035L100	MP035L125	MP035L160	MP035L200	MP035L250	MP035L315	MP035L400	—	—	—	—
3.7	7	3	MP037L100	MP037L125	MP037L160	MP037L200	MP037L250	MP037L315	MP037L400	—	—	—	—
4	8	3	MP040L100	MP040L125	MP040L160	MP040L200	MP040L250	MP040L315	MP040L400	MP040L500	—	—	—
4.2	8	3	MP042L100	MP042L125	MP042L160	MP042L200	MP042L250	MP042L315	MP042L400	MP042L500	MP042L630	—	—
4.5	8	3	MP045L100	MP045L125	MP045L160	MP045L200	MP045L250	MP045L315	MP045L400	—	—	—	—
5	10	3	MP050L100	MP050L125	MP050L160	MP050L200	MP050L250	MP050L315	MP050L400	MP050L500	MP050L630	MP050L800	—
5.2	10	3	MP052L100	MP052L125	MP052L160	MP052L200	MP052L250	MP052L315	MP052L400	MP052L500	—	—	—
5.5	10	3	MP055L100	MP055L125	MP055L160	MP055L200	MP055L250	MP055L315	MP055L400	MP055L500	—	—	—
6	12	5	MP060L100	MP060L125	MP060L160	MP060L200	MP060L250	MP060L315	MP060L400	MP060L500	MP060L630	MP060L800	MP060L1000
6.2	12	5	MP062L100	MP062L125	MP062L160	MP062L200	MP062L250	MP062L315	MP062L400	MP062L500	MP062L630	—	—
6.5	12	5	MP065L100	MP065L125	MP065L160	MP065L200	MP065L250	MP065L315	MP065L400	MP065L500	—	—	—
7	12	5	MP070L100	MP070L125	MP070L160	MP070L200	MP070L250	MP070L315	MP070L400	MP070L500	MP070L630	—	—
8	14	5	MP080L100	MP080L125	MP080L160	MP080L200	MP080L250	MP080L315	MP080L400	MP080L500	MP080L630	MP080L800	MP080L1000
8.2	14	5	MP082L100	MP082L125	MP082L160	MP082L200	MP082L250	MP082L315	MP082L400	MP082L500	MP082L630	—	—
8.5	14	5	MP085L100	MP085L125	MP085L160	MP085L200	MP085L250	MP085L315	MP085L400	MP085L500	MP085L630	—	—
9	14	5	MP090L100	MP090L125	MP090L160	MP090L200	MP090L250	MP090L315	MP090L400	MP090L500	MP090L630	—	—
10	16	5	MP100L100	MP100L125	MP100L160	MP100L200	MP100L250	MP100L315	MP100L400	MP100L500	MP100L630	MP100L800	MP100L1000
10.2	16	5	MP102L100	MP102L125	MP102L160	MP102L200	MP102L250	MP102L315	MP102L400	MP102L500	MP102L630	—	—
10.5	16	5	MP105L100	MP105L125	MP105L160	MP105L200	MP105L250	MP105L315	MP105L400	MP105L500	MP105L630	—	—
11	16	5	MP110L100	MP110L125	MP110L160	MP110L200	MP110L250	MP110L315	MP110L400	MP110L500	MP110L630	—	—
12	18	7	MP120L100	MP120L125	MP120L160	MP120L200	MP120L250	MP120L315	MP120L400	MP120L500	MP120L630	MP120L800	MP120L1000
12.2	18	7	MP122L100	MP122L125	MP122L160	MP122L200	MP122L250	MP122L315	MP122L400	MP122L500	MP122L630	—	—
12.5	18	7	MP125L100	MP125L125	MP125L160	MP125L200	MP125L250	MP125L315	MP125L400	MP125L500	MP125L630	MP125L800	—
14	22	7	MP140L100	MP140L125	MP140L160	MP140L200	MP140L250	MP140L315	MP140L400	MP140L500	MP140L630	MP140L800	MP140L1000
16	22	7	MP160L100	MP160L125	MP160L160	MP160L200	MP160L250	MP160L315	MP160L400	MP160L500	MP160L630	MP160L800	MP160L1000
18	24	7	MP180L100	MP180L125	MP180L160	MP180L200	MP180L250	MP180L315	MP180L400	MP180L500	MP180L630	MP180L800	MP180L1000
20	26	8	MP200L100	MP200L125	MP200L160	MP200L200	MP200L250	MP200L315	MP200L400	MP200L500	MP200L630	MP200L800	MP200L1000
25	32	10	MP250L100	MP250L125	MP250L160	MP250L200	MP250L250	MP250L315	MP250L400	MP250L500	MP250L630	MP250L800	MP250L1000
32	40	10	MP320L100	MP320L125	MP320L160	MP320L200	MP320L250	MP320L315	MP320L400	MP320L500	MP320L630	MP320L800	MP320L1000

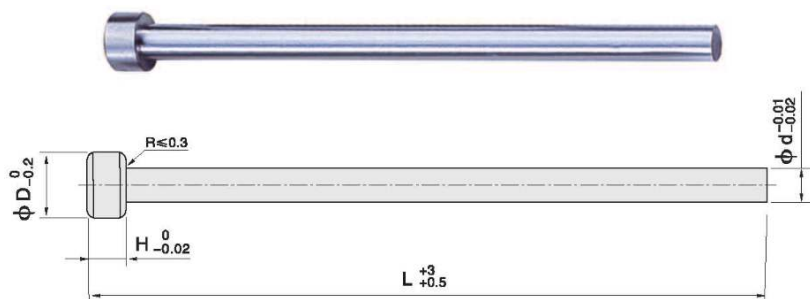
Botador Con Hombro Milimétrico DIN



- Fabricada con acero de alta calidad tipo SKD61(H13) resistente al choque térmico y al trabajo en calor.
- Perno Botador Nitrurado Norma Din1530A.
- Dureza del núcleo a 43-52HRC.
- Dureza del exterior a 68HRC

d Diámetro	d1	D	H	L=80mm N=35mm	L=100mm N=50mm	L=125mm N=50mm	L=160mm N=50mm	L=160mm N=75mm	L=200mm N=75mm	L=250mm N=75mm
0.7	2	4	2	—	MS07L100-50	MS07L125-50	—	—	—	—
0.8	2	4	2	MS08L080-35	MS08L100-50	MS08L125-50	—	MS08L160-75	—	—
0.9	2	4	2	MS09L080-35	MS09L100-50	MS09L125-50	—	MS09L160-75	—	—
1.0	2	4	2	MS10L080-35	MS10L100-50	MS10L125-50	MS10L160-50	MS10L160-75	MS10L200-75	—
1.1	2	4	2	MS11L080-35	MS11L100-50	MS11L125-50	—	MS11L160-75	MS11L200-75	—
1.2	2	4	2	MS12L080-35	MS12L100-50	MS12L125-50	—	MS12L160-75	MS12L200-75	—
1.3	2	4	2	MS13L080-35	MS13L100-50	MS13L125-50	—	MS13L160-75	MS13L200-75	—
1.4	2	4	2	MS14L080-35	MS14L100-50	MS14L125-50	—	MS14L160-75	MS14L200-75	—
1.5	3	6	3	MS15L080-35	MS15L100-50	MS15L125-50	MS15L160-50	MS15L160-75	MS15L200-75	MS15L250-75
1.6	3	6	3	MS16L080-35	MS16L100-50	MS16L125-50	—	MS16L160-75	MS16L200-75	—
1.7	3	6	3	MS17L080-35	MS17L100-50	MS17L125-50	—	MS17L160-75	MS17L200-75	—
1.8	3	6	3	MS18L080-35	MS18L100-50	MS18L125-50	—	MS18L160-75	MS18L200-75	—
1.9	3	6	3	MS19L080-35	MS19L100-50	MS19L125-50	—	MS19L160-75	MS19L200-75	—
2.0	3	6	3	MS20L080-35	MS20L100-50	MS20L125-50	MS20L160-50	MS20L160-75	MS20L200-75	MS20L250-75
2.1	3	6	3	MS21L080-35	MS21L100-50	MS21L125-50	—	MS21L160-75	MS21L200-75	—
2.2	3	6	3	MS22L080-35	MS22L100-50	MS22L125-50	—	MS22L160-75	MS22L200-75	—
2.4	3	6	3	MS24L080-35	MS24L100-50	MS24L125-50	—	MS24L160-75	MS24L200-75	—
2.5	3	6	3	—	MS24L100-50	MS24L125-50	—	MS24L160-75	MS24L200-75	MS24L250-75
2.7	3	6	3	—	MS27L100-50	MS27L125-50	—	MS27L160-75	MS27L200-75	—
3.0	4	8	3	—	MS30L100-50	MS30L125-50	—	MS30L160-75	MS30L200-75	—
3.2	4	8	3	—	MS32L100-50	MS32L125-50	—	MS32L160-75	MS32L200-75	—
3.5	4	8	3	—	MS35L100-50	MS35L125-50	—	MS35L160-75	MS35L200-75	—

Botador Milimétrico JIS

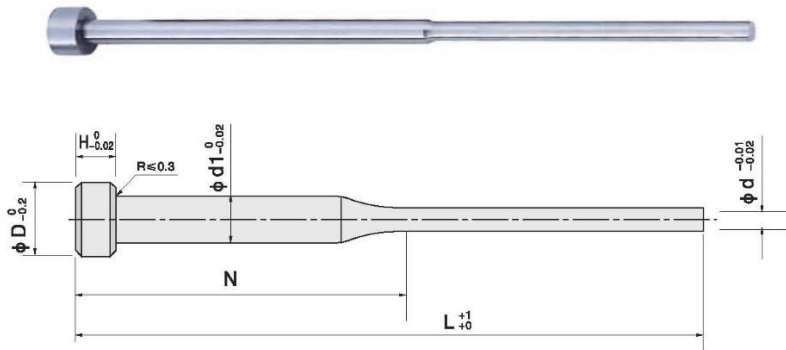


- Fabricada con acero de alta calidad tipo SKD61(H13) resistente al choque térmico y al trabajo en calor.
- Perno Botador Nitrurado Norma Din1530A.
- Dureza del núcleo a 43-52HRC.
- Dureza del exterior a 68HRC

d	D	H	L=100mm	L=150mm	L=200mm	L=250mm	L=300mm	L=350mm	L=400mm	L=450mm	L=500mm
1	5	4	JFX010L100	JFX010L150	—	—	—	—	—	—	—
1.5	5	4	JFX015L100	JFX015L150	JFX015L200	—	—	—	—	—	—
2	5	4	JFX020L100	JFX020L150	JFX020L200	JFX020L250	—	—	—	—	—
2.5	6	4	JFX025L100	JFX025L150	JFX025L200	JFX025L250	JFX025L300	JFX025L350	JFX025L400	JFX025L450	JFX025L500
3	6	4	JFX030L100	JFX030L150	JFX030L200	JFX030L250	JFX030L300	JFX030L350	JFX030L400	JFX030L450	JFX030L500
3.5	7	4	JFX035L100	JFX035L150	JFX035L200	JFX035L250	JFX035L300	JFX035L350	JFX035L400	JFX035L450	JFX035L500
4	8	6	JFX040L100	JFX040L150	JFX040L200	JFX040L250	JFX040L300	JFX040L350	JFX040L400	JFX040L450	JFX040L500
4.5	8	6	JFX045L100	JFX045L150	JFX045L200	JFX045L250	JFX045L300	JFX045L350	JFX045L400	JFX045L450	JFX045L500
5	9	6	JFX050L100	JFX050L150	JFX050L200	JFX050L250	JFX050L300	JFX050L350	JFX050L400	JFX050L450	JFX050L500
5.5	10	6	JFX055L100	JFX055L150	JFX055L200	JFX055L250	JFX055L300	JFX055L350	JFX055L400	JFX055L450	JFX055L500
6	10	6	JFX060L100	JFX060L150	JFX060L200	JFX060L250	JFX060L300	JFX060L350	JFX060L400	JFX060L450	JFX060L500
7	11	6	JFX070L100	JFX070L150	JFX070L200	JFX070L250	JFX070L300	JFX070L350	JFX070L400	JFX070L450	JFX070L500
8	13	8	JFX080L100	JFX080L150	JFX080L200	JFX080L250	JFX080L300	JFX080L350	JFX080L400	JFX080L450	JFX080L500
10	15	8	JFX100L100	JFX100L150	JFX100L200	JFX100L250	JFX100L300	JFX100L350	JFX100L400	JFX100L450	JFX100L500
12	17	8	JFX120L100	JFX120L150	JFX120L200	JFX120L250	JFX120L300	JFX120L350	JFX120L400	JFX120L450	JFX120L500
14	19	8	—	JFX140L150	—	JFX140L250	—	JFX140L350	—	—	JFX140L500
15	19	8	JFX150L100	JFX150L150	JFX150L200	JFX150L250	JFX150L300	JFX150L350	JFX150L400	JFX150L450	JFX150L500
16	21	8	—	JFX160L150	—	JFX160L250	—	JFX160L350	—	—	JFX160L500
18	23	8	—	JFX180L150	—	JFX180L250	—	JFX180L350	—	—	—
20	25	8	—	JFX200L150	—	JFX200L250	—	JFX200L350	—	—	—

d	D	H	L=550mm	L=600mm	L=650mm	L=700mm	L=750mm	L=800mm	L=900mm	L=1000mm	L=1200mm
2.5	6	4	JFX025L550	JFX025L600	JFX025L650	—	—	—	—	—	—
3	6	4	JFX030L550	JFX030L600	JFX030L650	JFX030L700	—	—	—	—	—
3.5	7	4	JFX035L550	JFX035L600	JFX035L650	JFX035L700	JFX035L750	—	—	—	—
4	8	6	JFX040L550	JFX040L600	JFX040L650	JFX040L700	JFX040L750	—	—	—	—
4.5	8	6	JFX045L550	JFX045L600	JFX045L650	JFX045L700	JFX045L750	—	—	—	—
5	9	6	JFX050L550	JFX050L600	JFX050L650	JFX050L700	JFX050L750	—	—	—	—
5.5	10	6	JFX055L550	JFX055L600	—	—	—	—	—	—	—
6	10	6	JFX060L550	JFX060L600	JFX060L650	JFX060L700	JFX060L750	JFX060L800	—	—	—
7	11	6	JFX070L550	JFX070L600	JFX070L650	JFX070L700	JFX070L750	JFX070L800	—	—	—
8	13	8	JFX080L550	JFX080L6000	JFX080L650	JFX080L700	JFX080L750	JFX080L800	JFX080L900	JFX080L1000	JFX080L1200
10	15	8	JFX100L550	JFX100L6000	JFX100L650	JFX100L700	JFX100L750	JFX100L800	JFX100L900	JFX100L1000	JFX100L1200
12	17	8	JFX120L550	JFX120L6000	JFX120L650	JFX120L700	JFX120L750	JFX120L800	JFX120L900	JFX120L1000	JFX120L1200
14	19	8	—	—	—	—	—	—	—	—	—
15	19	8	JFX150L550	JFX150L6000	JFX150L650	JFX150L700	JFX150L750	JFX150L800	JFX150L900	JFX150L1000	JFX150L1200

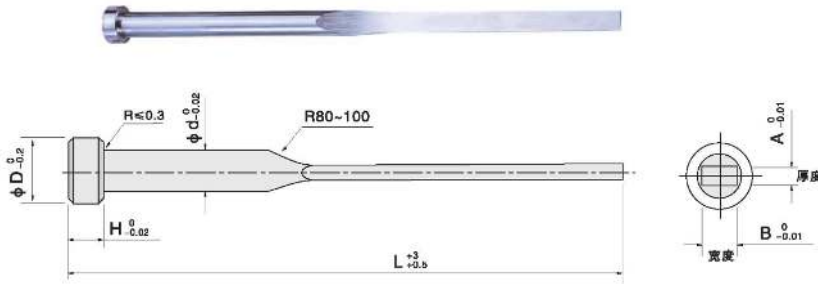
Botador Con Hombro Milimétrico JIS



- Fabricada con acero de alta calidad tipo SKD61(H13) resistente al choque térmico y al trabajo en calor.
- Perno Botador Nitrurado Norma Din1530A.
- Dureza del núcleo a 43-52HRC.
- Dureza del exterior a 68HRC

d Diámetro	d1	D	H	L=150mm		L=200mm		
				N=50mm	N=70mm	N=70mm	N=80mm	N=100mm
1.0	2	4	4	JEBL150-10N50	JMS2L150-10N70	—	—	—
	3	6	4	JMS3L150-10N50	—	—	JMS3L200-10N80	—
1.2	2	4	4	JMS2L150-12N50	JMS2L150-12N70	—	—	—
	3	6	4	JMS3L150-12N50	—	JMS3L200-12N70	—	—
1.5	2	4	4	JMS2L150-15N50	JMS2L150-15N70	—	—	—
	2.5	5	4	JMS25L150-15N50	—	—	—	—
	3	6	4	JMS3L150-15N50	—	JMS3L200-15N70	JMS3L200-15N80	JMS3L200-15N100
2	3	6	4	JMS3L150-20N50	JMS3L150-20N70	—	JMS3L200-20N80	—
	4	8	6	—	—	JMS4L200-20N70	JMS4L200-20N80	—
2.5	4	8	6	JMS4L150-25N50	—	JMS4L200-25N70	—	—

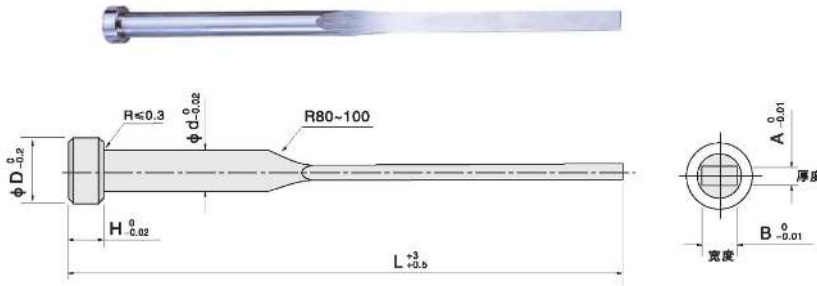
Botador Espada US



- Fabricada con acero de alta calidad tipo SKD61(H13) resistente al choque térmico y al trabajo en calor.
- Perno Botador Nitruado Norma Din1530A.
- Dureza del núcleo a 43-52HRC.
- Dureza del exterior a 68HRC

A	B	d	D	H	Largo de Espada=3" o 4-3/8"								
					L=5"	L=6"	L=6-3/8"	L=7-3/8"	L=8"	L=8-3/8"	L=9-3/8"	L=10-3/8"	
0.024	0.1	0.125	0.25	0.125	—	BE9-244L6	—	—	—	—	—	—	—
0.024	0.14	0.156	0.281	0.156	—	—	BE11-244L6	—	—	—	—	—	—
0.024	0.172	0.187	0.375	0.187	—	—	BE13-244L6	—	—	—	—	—	—
0.032	0.1	0.125	0.25	0.125	BE9-323L5	BE9-323L6	BE9-324L6	BE9-324L7	—	—	—	—	—
0.032	0.14	0.156	0.281	0.156	—	BE11-323L6	BE11324L6	BE11-324L7	BE11-323L8	BE11-324L8	—	—	—
0.032	0.172	0.187	0.375	0.187	—	BE13-323L6	BE13-324L6	BE13-324L7	BE13-323L8	BE13-324L8	—	—	—
0.032	0.234	0.25	0.437	0.187	BE17-323L5	BE17-323L6	BE17-324L6	BE17-324L7	BE17-323L8	BE17-324L8	BE17-324L9	BE17-324L10	—
0.032	0.296	0.312	0.5	0.25	—	—	BE21-324L6	BE21-324L7	—	BE21-324L8	BE21-324L9	BE21-324L10	—
0.032	0.359	0.375	0.625	0.25	—	—	BE25-324L6	BE25-324L7	—	BE25-324L8	BE25-324L9	BE25-324L10	—
0.046	0.1	0.125	0.25	0.125	BE9-463L5	BE9-463L6	BE9-464L6	BE9-464L7	—	—	—	—	—
0.046	0.14	0.156	0.281	0.156	—	BE11-463L6	BE11-464L6	BE11-464L7	BE11-463L8	BE11-464L8	—	—	—
0.046	0.172	0.187	0.375	0.187	—	BE13-463L6	BE13-464L6	BE13-464L7	BE13-463L8	BE13-464L8	—	—	—
0.046	0.234	0.25	0.437	0.187	BE17-463L5	BE17-463L6	BE17-464L6	BE17-464L7	BE17-463L8	BE17-464L8	BE17-464L9	BE17-464L10	—
0.046	0.296	0.312	0.5	0.25	—	—	BE21-464L6	BE21-464L7	—	BE21-464L8	BE21-464L9	BE21-464L10	—
0.046	0.359	0.375	0.625	0.25	—	—	BE25-464L6	BE25-464L7	—	BE25-464L8	BE25-464L9	BE25-464L10	—
0.062	0.172	0.187	0.375	0.187	—	BE13-623L6	BE13-624L6	BE13-624L7	BE13-464L8	BE13-624L8	—	—	—
0.062	0.234	0.25	0.437	0.187	BE17-623L5	BE17-623L6	BE17-624L6	BE17-624L7	BE17-623L8	BE17-624L8	BE17-624L9	BE17-624L10	—
0.062	0.296	0.312	0.5	0.25	—	—	BE21-624L6	BE21-624L7	—	BE21-624L8	BE21-624L9	BE21-624L10	—
0.062	0.359	0.375	0.625	0.25	—	—	BE25-624L6	BE25-624L7	—	BE25-624L8	BE25-624L9	BE25-624L10	—
0.062	0.484	0.5	0.75	0.25	—	—	BE33-625L6	BE33-625L7	—	BE33-625L8	BE33-625L9	BE33-625L10	—
0.078	0.296	0.312	0.5	0.25	—	—	BE21-784L6	BE21-784L7	—	BE21-784L8	BE21-784L9	BE21-784L10	—
0.078	0.359	0.375	0.625	0.25	—	—	BE25-784L6	BE25-784L7	—	BE25-784L8	BE25-784L9	BE25-784L10	—
0.078	0.484	0.5	0.75	0.25	—	—	BE33-785L6	BE33-785L7	—	BE33-785L8	BE33-785L9	BE33-785L10	—

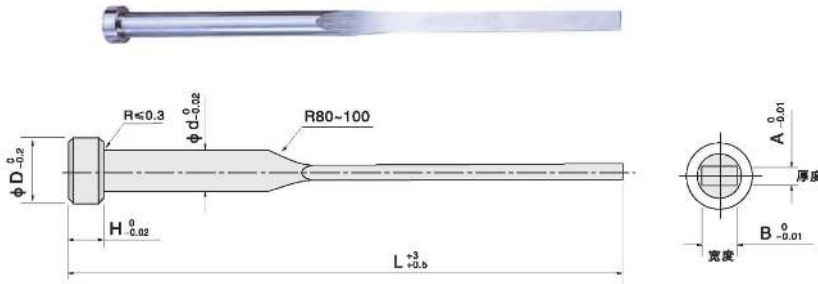
Botador Espada Milimétrico DIN



- Fabricada con acero de alta calidad tipo SKD61(H13) resistente al choque térmico y al trabajo en calor.
- Perno Botador Nitrurado Norma Din1530A.
- Dureza del núcleo a 43-52HRC.
- Dureza del exterior a 68HRC

A	B	d	D	H	L=63 mm	L=80 mm	L=100 mm	L=125 mm	L=160 mm	L=200 mm	L=250 mm	L=315 mm	L=400 mm
					N=32mm	N=40mm	N=50mm	N=63mm	N=80mm	N=100mm	N=125mm	N=155mm	N=200mm
1	3.5	4	8	3	MB03510L63	MB03510L80	MB03510L100	MB03510L125	MB03510L160	—	—	—	—
1.2	3.5	4	8	3	—	MB03512L80	MB03512L100	MB03512L125	MB03512L160	—	—	—	—
0.8	3.8	4.2	8	3	MB03808L63	MB03808L80	MB03808L100	MB03808L125	MB03808L160	—	—	—	—
1	3.8	4.2	8	3	MB03810L63	MB03810L80	MB03810L100	MB03810L125	MB03810L160	—	—	—	—
1.2	3.8	4.2	8	3	—	MB03812L80	MB03812L100	MB03812L125	MB03812L160	MB03812L200	—	—	—
1	4.5	5	10	3	—	MB04510L80	MB04510L100	MB04510L125	MB04510L160	MB04510L200	—	—	—
1.2	4.5	5	10	3	—	MB04512L80	MB04512L100	MB04512L125	MB04512L160	MB04512L200	—	—	—
1.5	4.5	5	10	3	—	MB04515L80	MB04515L100	MB04515L125	MB04515L160	MB04515L200	—	—	—
1	5.5	6	12	5	—	MB05510L80	MB05510L100	MB05510L125	MB05510L160	MB05510L200	—	—	—
1.2	5.5	6	12	5	—	MB05512L80	MB05512L100	MB05512L125	MB05512L160	MB05512L200	—	—	—
1.5	5.5	6	12	5	—	MB05515L80	MB05515L100	MB05515L125	MB05515L160	MB05515L200	—	—	—
2	5.5	6	12	5	—	MB05520L80	—	MB05520L125	MB05520L160	MB05520L200	—	—	—
1.2	7.5	8	14	5	—	—	MB07512L100	MB07512L125	MB07512L160	MB07512L200	MB07512L250	—	—
1.5	7.5	8	14	5	—	—	MB07515L100	MB07515L125	MB07515L160	MB07515L200	MB07515L250	—	—
2	7.5	8	14	5	—	—	MB07520L100	MB07520L125	MB07520L160	MB07520L200	MB07520L250	MB07520L315	—
1.5	9.5	10	16	5	—	—	—	—	MB09515L160	MB09515L200	MB09515L250	MB09515L315	—
2	9.5	10	16	5	—	—	—	—	MB09520L160	MB09520L200	MB09520L250	MB09520L315	MB09520L400
2	11.5	12	20	7	—	—	—	—	—	MB011520L200	MB11520L250	MB11520L315	MB11520L400
2.5	11.5	12	20	7	—	—	—	—	—	MB011525L200	MB11525L250	MB11525L315	MB11525L400
2	15.5	16	22	7	—	—	—	—	—	MB015520L200	MB15520L250	MB15520L315	MB15520L400
2.5	15.5	16	22	7	—	—	—	—	—	MB015525L200	MB15525L250	MB15525L315	MB15525L400

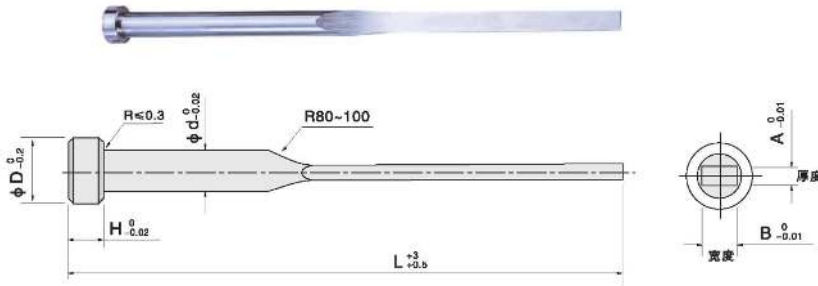
Botador Espada JIS



- Fabricada con acero de alta calidad tipo SKD61(H13) resistente al choque térmico y al trabajo en calor.
- Perno Botador Nitrurado Norma Din1530A.
- Dureza del núcleo a 43-52HRC.
- Dureza del exterior a 68HRC

H	D	d	B	A	Largo L							
					L=100 N=40	L=125 N=50	L=150 N=60	L=175 N=70	L=200 N=80	L=250 N=100	L=300 N=120	
4	5	2	1.2	0.4	JEB120402B	JEB120403B						
			1.5	0.4	JEB150402B	JEB150403B						
			0.5	JEB150502B	JEB150503B							
	6	2.5	2	0.4	JEB200402B	JEB200403B						
			0.5	JEB200502B	JEB200503B							
			0.6	JEB200602B	JEB200603B							
7	3.5	3	0.6	JEB350602B	JEB350603B	JEB350604B						
			0.8	JEB350802B	JEB350803B	JEB350804B						
			1	JEB351002B	JEB351003B	JEB351004B						
			1.2	JEB351202B	JEB351203B	JEB351204B						
6	8	4	0.6	JEB300602B	JEB300603B	JEB300604B						
			0.8	JEB300802B	JEB300803B	JEB300804B						
			1	JEB301002B	JEB301003B	JEB301004B						
			1.2	JEB301202B	JEB301203B	JEB301204B						
	9	5	4	0.8	JEB400802B	JEB400803B	JEB400804B	JEB400805B				
				1	JEB401002B	JEB401003B	JEB401004B	JEB401005B				
				1.2	JEB401202B	JEB401203B	JEB401204B	JEB401205B				
				1.5	JEB401502B	JEB401503B	JEB401504B	JEB401505B				
	10	6	5	0.8	JEB500802B	JEB500803B	JEB500804B	JEB500805B	JEB500806B			
				1	JEB501002B	JEB501003B	JEB501004B	JEB501005B	JEB501006B			
				1.2	JEB501202B	JEB501203B	JEB501204B	JEB501205B	JEB501206B			
				1.5	JEB501502B	JEB501503B	JEB501504B	JEB501505B	JEB501506B			
1.8				JEB501802B	JEB501803B	JEB501804B	JEB501805B	JEB501806B				
2				JEB502002B	JEB502003B	JEB502004B	JEB502005B	JEB502006B				
11	7	6	0.8	JEB600802B	JEB600803B	JEB600804B	JEB600805B	JEB600806B				
			1	JEB601002B	JEB601003B	JEB601004B	JEB601005B	JEB601006B				
			1.2	JEB601202B	JEB601203B	JEB601204B	JEB601205B	JEB601206B				
			1.5	JEB601502B	JEB601503B	JEB601504B	JEB601505B	JEB601506B				
			1.8	JEB601802B	JEB601803B	JEB601804B	JEB601805B	JEB601806B				
			2	JEB602002B	JEB602003B	JEB602004B	JEB602005B	JEB602006B				

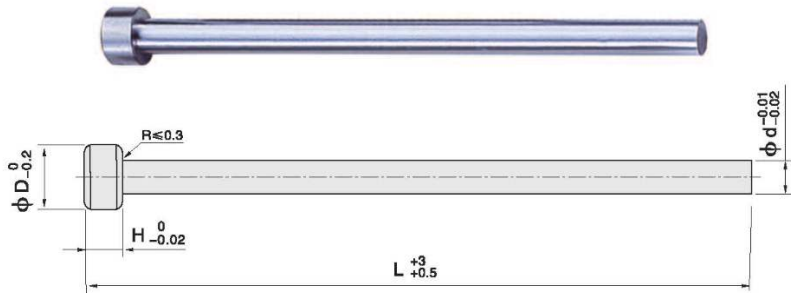
Botador Espada JIS



- Fabricada con acero de alta calidad tipo SKD61(H13) resistente al choque térmico y al trabajo en calor.
- Perno Botador Nitrurado Norma Din1530A.
- Dureza del núcleo a 43-52HRC.
- Dureza del exterior a 68HRC

H	D	d	B	A	Largo L						
					L=100 N=40	L=125 N=50	L=150 N=60	L=175 N=70	L=200 N=80	L=250 N=100	L=300 N=120
8	15	10	8	0.8		JEB800803B	JEB800804B	JEB800805B	JEB800806B	JEB800808B	
				1		JEB801003B	JEB801004B	JEB801005B	JEB801006B	JEB801008B	JEB801010B
				1.2		JEB801203B	JEB801204B	JEB801205B	JEB801206B	JEB801208B	JEB801210B
				1.5		JEB801503B	JEB801504B	JEB801505B	JEB801506B	JEB801508B	JEB801510B
				1.8		JEB801803B	JEB801804B	JEB801805B	JEB801806B	JEB801808B	JEB801810B
				2		JEB802003B	JEB802004B	JEB802005B	JEB802006B	JEB802008B	JEB802010B
	17	12	10	1			JEB101004B	JEB101005B	JEB101006B	JEB101008B	JEB101010B
				1.2			JEB101204B	JEB101205B	JEB101206B	JEB101208B	JEB101210B
				1.5			JEB101504B	JEB101505B	JEB101506B	JEB101508B	JEB101510B
				1.8			JEB101804B	JEB101805B	JEB101806B	JEB101808B	JEB101810B
			2			JEB102004B	JEB102005B	JEB102006B	JEB102008B	JEB102010B	

Corazonero Estándar US

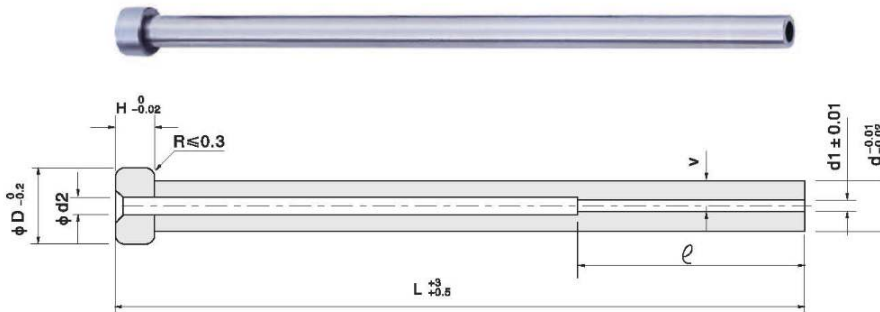


- Fabricada con acero de alta calidad resistente al choque térmico y al trabajo en calor.
- Dureza CPS de 30-35HRC.
- Dureza CPH de 50-55HRC

d	D	H	L=3"	L=6"	L=10"	L=14"
3/32	0.25	0.125	CPS7L3	CPS7L6	CPS7L10	—
7/64	0.25	0.125	CPS8L3	CPS8L6	CPS8L10	—
1/8	0.25	0.125	CPS9L3	CPS9L6	CPS9L10	CPS9L14
9/64	0.25	0.125	CPS10L3	CPS10L6	CPS10L10	CPS10L14
5/32	0.28	0.156	CPS11L3	CPS11L6	CPS11L10	CPS11L14
11/64	0.34	0.187	CPS12L3	CPS12L6	CPS12L10	CPS12L14
3/16	0.37	0.187	CPS13L3	CPS13L6	CPS13L10	CPS13L14
13/64	0.37	0.187	CPS14L3	CPS14L6	CPS14L10	CPS14L14
7/32	0.4	0.187	CPS15L3	CPS15L6	CPS15L10	CPS15L14
1/4	0.43	0.187	CPS17L3	CPS17L6	CPS17L10	CPS17L14
9/32	0.43	0.25	CPS19L3	CPS19L6	CPS19L10	CPS19L14
5/16	0.5	0.25	CPS21L3	CPS21L6	CPS21L10	CPS21L14
11/32	0.56	0.25	CPS23L3	CPS23L6	CPS23L10	CPS23L14
3/8	0.62	0.25	CPS25L3	CPS25L6	CPS25L10	CPS25L14
13/32	0.68	0.25	CPS27L3	CPS27L6	CPS27L10	CPS27L14
7/16	0.68	0.25	CPS29L3	CPS29L6	CPS29L10	CPS29L14
15/32	0.75	0.25	CPS31L3	CPS31L6	CPS31L10	CPS31L14
1/2	0.75	0.25	CPS33L3	CPS33L6	CPS33L10	CPS33L14
9/16	0.81	0.25	—	CPS35L6	CPS35L10	CPS35L14
5/8	0.87	0.25	—	CPS37L6	CPS37L10	CPS37L14
3/4	1	0.25	—	CPS41L6	CPS41L10	CPS41L14

d	D	H	L=3"	L=6"	L=10"	L=14"
3/32	0.25	0.125	CPH7L3	CPH7L6	CPH7L10	—
7/64	0.25	0.125	CPH8L3	CPH8L6	CPH8L10	—
1/8	0.25	0.125	CPH9L3	CPH9L6	CPH9L10	CPH9L14
9/64	0.25	0.125	CPH10L3	CPH10L6	CPH10L10	CPH10L14
5/32	0.28	0.156	CPH11L3	CPH11L6	CPH11L10	CPH11L14
11/64	0.34	0.187	CPH12L3	CPH12L6	CPH12L10	CPH12L14
3/16	0.37	0.187	CPH13L3	CPH13L6	CPH13L10	CPH13L14
13/64	0.37	0.187	CPH14L3	CPH14L6	CPH14L10	CPH14L14
7/32	0.4	0.187	CPH15L3	CPH15L6	CPH15L10	CPH15L14
1/4	0.43	0.187	CPH17L3	CPH17L6	CPH17L10	CPH17L14
9/32	0.43	0.25	CPH19L3	CPH19L6	CPH19L10	CPH19L14
5/16	0.5	0.25	CPH21L3	CPH21L6	CPH21L10	CPH21L14
11/32	0.56	0.25	CPH23L3	CPH23L6	CPH23L10	CPH23L14
3/8	0.62	0.25	CPH25L3	CPH25L6	CPH25L10	CPH25L14
13/32	0.68	0.25	CPH27L3	CPH27L6	CPH27L10	CPH27L14
7/16	0.68	0.25	CPH29L3	CPH29L6	CPH29L10	CPH29L14
15/32	0.75	0.25	CPH31L3	CPH31L6	CPH31L10	CPH31L14
1/2	0.75	0.25	CPH33L3	CPH33L6	CPH33L10	CPH33L14
9/16	0.81	0.25	—	CPH35L6	CPH35L10	CPH35L14
5/8	0.87	0.25	—	CPH37L6	CPH37L10	CPH37L14
3/4	1	0.25	—	CPH41L6	CPH41L10	CPH41L14

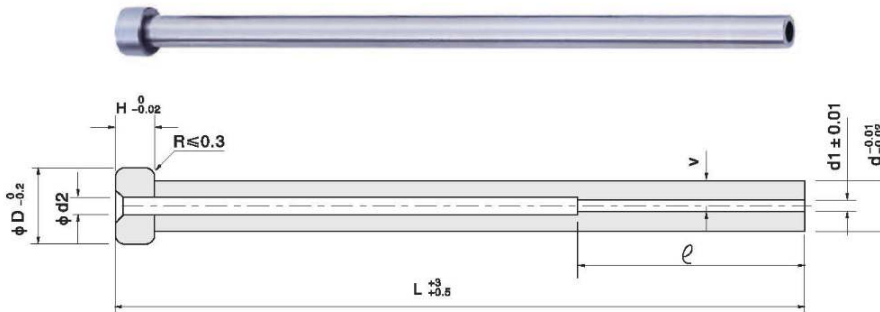
Manga Botadora Estándar US



- Fabricada con acero de alta calidad tipo FDAC resistente al choque térmico y al trabajo en calor.
- Dureza de 38-42 HRC.
- H=0.1875" para SL13, SL15 y SL17
- H=0.250" para el resto de las mangas

d	d1	D	l=2.25"												
			L=3"	L=4"	L=5"	L=6"	L=7"	L=8"	L=9"	L=10"	L=11"	L=12"	L=13"	L=14"	
3/32	0.1875	0.375	SL13L3	SL13L4	SL13L5	SL13L6	SL13L7	—	—	—	—	—	—	—	
1/8	0.2187	0.406	SL15L3	SL15L4	SL15L5	SL15L6	SL15L7	—	—	—	—	—	—	—	
5/32	0.25	0.437	—	SL17L3	SL17L4	SL17L5	SL17L6	SL17L7	SL17L9	SL17L10	—	—	—	—	
3/16	0.3125	0.500	—	SL21L3	SL21L4	SL21L5	SL21L6	SL21L7	SL21L9	SL21L10	SL21L11	SL21L12	SL21L13	SL21L14	
7/32	0.3437	0.562	—	SL23L3	SL23L4	SL23L5	SL23L6	SL23L7	SL23L9	SL23L10	—	—	SL23L13	SL23L14	
1/4	0.375	0.625	—	SL25L3	SL25L4	SL25L5	SL25L6	SL25L7	SL25L9	SL25L10	SL25L11	SL25L12	SL25L13	SL25L14	
5/16	0.4375	0.687	—	SL29L3	SL29L4	SL29L5	SL29L6	SL29L7	SL29L9	SL29L10	SL29L11	SL29L12	SL29L13	SL29L14	
3/8	0.5	0.750	—	SL33L3	SL33L4	SL33L5	SL33L6	SL33L7	SL33L9	SL33L10	SL33L11	SL33L12	SL33L13	SL33L14	
7/16	0.625	0.875	—	SL37L3	SL37L4	SL37L5	SL37L6	SL37L7	SL37L9	SL37L10	SL37L11	SL37L12	SL37L13	SL37L14	
1/2	0.6875	0.937	—	SL39L3	SL39L4	SL39L5	SL39L6	SL39L7	SL39L9	SL39L10	SL39L11	SL39L12	SL39L13	SL39L14	
9/16	0.75	1.00	—	SL41L3	SL41L4	SL41L5	SL41L6	SL41L7	SL41L9	SL41L10	SL41L11	SL41L12	SL41L13	SL41L14	
5/8	0.875	1.125	—	SL45L3	SL45L4	SL45L5	SL45L6	SL45L7	SL45L9	SL45L10	SL45L11	SL45L12	SL45L13	SL45L14	
3/4	1	1.255	—	SL47L3	SL47L4	SL47L5	SL47L6	SL47L7	SL47L9	SL47L10	SL47L11	SL47L12	SL47L13	SL47L14	

Manga Botadora Milimétrica DIN



- Fabricada con acero de alta calidad tipo FDAC resistente al choque térmico y al trabajo en calor.
- Dureza de 38-42 HRC.

d1	d	D	H	e	L												
					75	100	125	150	175	200	225	250	275	300	350		
1.5	3	6	3	35	S315L75	S315L100	S315L125	S315-150	—	—	—	—	—	—	—	—	
1.7	3	6	3	35	S317L75	S317L100	S317L125	S317-150	—	—	—	—	—	—	—	—	
2	4	8	3	35	S420L75	S420L100	S420L125	S420L150	S420L175	S420L200	—	—	—	—	—	—	
2.2	4	8	3	35	S422L75	S422L100	S422L125	S422L150	S422L175	S422L200	—	—	—	—	—	—	
2.5	5	10	3	35	S525L75	S525L100	S525L125	S525L150	S525L175	S525L200	S525L225	S525L250	—	—	—	—	
2.7	5	10	3	45	S527L75	S527L100	S527L125	S527L150	S527L175	S527L200	S527L225	S527L250	—	—	—	—	
3	5	10	3	45	S530L75	S530L100	S530L125	S530L150	S530L175	S530L200	S530L225	S530L250	—	—	—	—	
3.2	5	10	3	45	S532L75	S532L100	S532L125	S532L150	S532L175	S532L200	S532L225	S532L250	—	—	—	—	
3.5	6	12	5	45	S635L75	S635L100	S635L125	S635L150	S635L175	S635L200	S635L225	S635L250	—	—	—	—	
3.7	6	12	5	45	S637L75	S637L100	S637L125	S637L150	S637L175	S637L200	S637L225	S637L250	—	—	—	—	
4	6	12	5	45	S640L75	S640L100	S640L125	S640L150	S640L175	S640L200	S640L225	S640L250	—	—	—	—	
4.2	6	12	5	45	S642L75	S642L100	S642L125	S642L150	S642L175	S642L200	S642L225	S642L250	—	—	—	—	
4.2	8	14	5	45	S842L75	S842L100	S842L125	S842L150	S842L175	S842L200	S842L225	S842L250	—	—	—	—	
4.5	8	14	5	45	S845L75	S845L100	S845L125	S845L150	S845L175	S845L200	S845L225	S845L250	—	—	—	—	
5	8	14	5	45	S850L75	S850L100	S850L125	S850L150	S850L175	S850L200	S850L225	S850L250	—	—	—	—	
5.2	8	14	5	45	S852L75	S852L100	S852L125	S852L150	S852L175	S852L200	S852L225	S852L250	—	—	—	—	
6	10	16	5	45	S1060L75	S1060L100	S1060L125	S1060L150	S1060L175	S1060L200	S1060L225	S1060L250	—	—	—	—	
6.2	10	16	5	45	S1062L75	S1062L100	S1062L125	S1062L150	S1062L175	S1062L200	S1062L225	S1062L250	—	—	—	—	
6.5	10	16	5	45	S1065L75	S1065L100	S1065L125	S1065L150	—	—	S1065L225	S1065L250	S1065L275	S1065L300	—	—	
8	12	20	7	45	S1280L75	S1280L100	S1280L125	S1280L150	S1280L175	S1280L200	S1280L225	S1280L250	S1280L275	S1280L300	S1280L350	—	
8.2	12	20	7	45	S1282L75	S1282L100	S1282L125	S1282L150	S1282L175	S1282L200	S1282L225	S1282L250	S1282L275	S1282L300	S1282L350	—	
8.5	12	20	7	45	S1285L75	S1285L100	S1285L125	S1285L150	S1285L175	S1285L200	S1285L225	S1285L250	S1285L275	S1285L300	—	—	
10	14	22	7	45	—	S1410L100	S1410L125	S1410L150	S1410L175	S1410L200	S1410L225	S1410L250	S1410L275	S1410L300	S1410L350	—	
10.5	14	22	7	45	—	S14105L100	S14105L125	S14105L150	S14105L175	S14105L200	S14105L225	S14105L250	S14105L275	S14105L300	S14105L350	—	
11	14	22	7	45	—	S1411L100	S1411L125	S1411L150	S1411L175	S1411L200	S1411L225	S1411L250	S1411L275	S1411L300	S1411L350	—	
12	16	22	7	45	—	S1612L100	S1612L125	S1612L150	S1612L175	S1612L200	S1612L225	S1612L250	S1612L275	S1612L300	—	—	
12.5	16	22	7	45	—	S16125L100	S16125L125	S16125L150	S16125L175	S16125L200	S16125L225	S16125L250	S16125L275	S16125L300	S16125L350	—	
14	18	24	9	45	—	S1814L100	S1814L125	S1814L150	S1814L175	S1814L200	S1814L225	S1814L250	S1814L275	S1814L300	S1814L350	—	
16	20	26	9	50	—	S2016L100	S2016L125	S2016L150	S2016L175	S2016L200	S2016L225	S2016L250	S2016L275	S2016L300	S2016L350	—	
18	22	28	9	50	—	S2218L75	S2218L100	S2218L125	S2218L150	S2218L175	S2218L200	S2218L225	S2218L250	S2218L275	S2218L300	S2218L350	—